

Laundry

WHAT SHOULD I LOOK FOR IN A LAUNDRY APPLIANCE?

Most of all, you need to feel confident in a laundry appliance. Confident that you can leave it to get on with the business of effectively washing or drying your clothes while you turn your attention to other things, inside or out of the house.

Our top of the range washing machines use less water, electricity and detergent than most other models in their class, while our washer dryers are also energy efficient. They're gentle on your clothes, but will get them wonderfully clean, fresh and ready for action.



► **Featured washing dryer**
Series 4 Freestanding combined washer dryer **V7446**

IN THIS SECTION

Choosing the right laundry appliance	286
Energy efficiency and your Neff laundry appliance	289
Washing with your Neff laundry appliance	290
CircoCare Drum System	293
Laundry in detail	294
Detailed specifications	298
Detailed dimensions	299

Choosing the right laundry appliance

FREESTANDING WASHING MACHINE



FREESTANDING WASHER DRYER



FREESTANDING TUMBLE DRYER



FREESTANDING WASHING MACHINE

The standard option for most households. Accessible, easy to install, operate and service, a freestanding washing machine simply slots into a recess and quietly gets on with its job.

FREESTANDING TUMBLE DRYER

If you don't have a garden or other outside area to dry your washing, a freestanding tumble dryer is the ideal solution. Neff's dryers are fast, effective and energy efficient.

FREESTANDING WASHER DRYER

Where space is an issue, dual-function washer dryers come into their own. Our machines are self-cleaning and use an innovative system that dries laundry without water.

► Images shown:

- 1 Series 4 Freestanding automatic washing machine W7460
- 2 Series 4 Freestanding condenser tumble dryer R8580
- 3 Series 4 Freestanding combined washer dryer V7446
- 4 Series 5 Built-in washing machine W5440
- 5 Series 5 Built-in washer dryer V6540X0

BUILT-IN WASHING MACHINE



BUILT-IN WASHER DRYER



BUILT-IN WASHING MACHINE

Discreet and unobtrusive, our built-in washing machines remain hidden behind cabinet doors in your kitchen, keeping its lines clean and co-ordinated.

BUILT-IN WASHER DRYER

The ultimate space saver, our built-in washer dryer tucks neatly away behind your kitchen cabinet doors, so no one notices it quietly going about its business.

WHEN YOU CHOOSE YOUR LAUNDRY APPLIANCE, YOU SHOULD CONSIDER THE FOLLOWING:

- Are you looking for a combined washer dryer, or a freestanding washing machine? See 'Laundry options' on page 288.
- How varied is your washing? See 'Programmes' on page 291.
- What other functions are you looking for? See 'Features' on page 291.

ANOTHER FACTOR TO CONSIDER WHEN CHOOSING YOUR NEFF LAUNDRY APPLIANCE:

- Whatever model you choose, you can expect quality, performance and efficiency from a Neff laundry appliance. But there's another consideration too... whether to opt for a freestanding unit, or one that's built-in.
- Our appliances are all designed to look sleek and easy on the eye, so they don't feel amiss in the context of a busy, modern family kitchen or laundry room. However, you may be after a seamless, fully co-ordinated kitchen, and prefer your laundry appliances be hidden away. The choice is yours.

Choosing the right laundry appliance

► Images shown:
I Series 4 Freestanding automatic washing machine W7460 and freestanding condenser tumble dryer R8580



OPTIONS

Whatever your lifestyle, a laundry appliance is a modern day necessity. And Neff has an answer to all your laundry needs, whatever your circumstances.

Washing machines

Our dedicated washing machines are among the best in their class for efficiency and performance.

Combined washer dryer

These are great space savers – the perfect solution if you want the functions of both a washing machine and dryer in a single machine.

INTEGRATION

Our machines are easy to fit, slotting in neatly between two units. A full height furniture door has to be fitted to the front of the machine and can be hinged from the left or right – but remember, the porthole door on the machine can't be changed around. A plinth, which is easily removable or cut out to allow access to the pump and vent should be fitted across the bottom. Refer to the individual specification drawings for more detail.

EFFICIENCY

Laundry appliances use water, energy and detergent, but we've done our best to see that Neff machines use less than most.

Energy

All our washing machines have been designed to gain the best energy performance rating in their class. Check the energy label for more details.

Detergent

If you programme your washing appliance correctly and follow the loading instructions carefully, you'll use less detergent.

Time

Short wash cycles as standard (inverse logic) or as an option can reduce your washing times by up to 40%.

Water

We've developed a system which works out the optimum amount of water for different load sizes and fabrics, so you only use the amount you need.

FAQs

► **Can I wash a small load of light and dark together?**
The W5420X0, W5440X0 and W7440X0 have a mixed load wash programme at just 30°C – it's fine to wash light and dark clothes together at this temperature so long as they're not too dirty.

► **Can I handwash clothes and then rinse and spin them in the washing machine?** Yes, all of our machines have a rinse/spin only cycle.

► **Is there a quick wash option?**
There's no need for a quick wash option with W5420X0 and W5440X0, all the wash cycles are fast as standard. By using Inverse Logic, we can wash lightly soiled items quickly – reducing normal washing times by up to 40%. If an item is a little more soiled, simply select the intensive option to wash it for longer. There is however a Rapid 15 wash on the W5440X0 which takes just 15 minutes to wash a 2kg load.

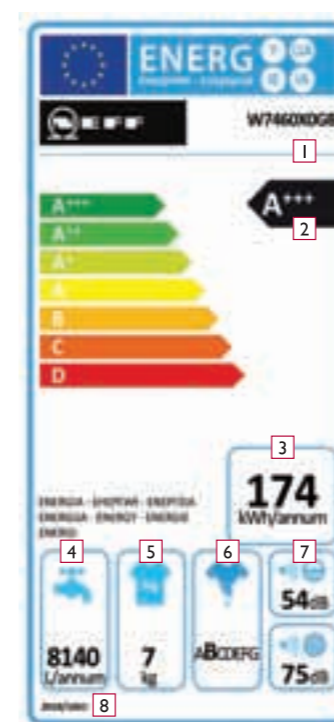
Energy efficiency and your Neff laundry appliance



Do you have a favourite article of clothing that you wish you could wear every day? Or do you perspire a lot when you exercise? If only you didn't have to do laundry so often – can the environment really afford it? You bet! It's just a matter of choosing the right programme.

Neff's fully automatic washing machines have a number of programmes for every type of fabric and every situation. For example, the practical short programme, Rapid 15, washes and rinses in just 15 minutes. Perfect for lightly soiled items that can save you energy and water. It uses just 0.17 kWh of electricity and 36 litres of water. By familiarising yourself with and understanding the new energy label you'll be able to discover which are the most energy efficient appliances for you to consider.

THE LAUNDRY ENERGY EFFICIENCY LABEL



- 1 Supplier's name or trademark and model identifier
- 2 Energy efficiency class
- 3 Annual energy consumption, based on 220 standard washing cycles. Actual energy consumption will depend on how the appliance is used
- 4 Water consumption in litres per year, based on 220 standard washing cycles. Actual water consumption will depend on how the appliance is used
- 5 Rated capacity in kilograms, based on the standard 60°C cotton programme at full load or the standard 40°C cotton programme at full load, whichever is the lower
- 6 Spin-drying efficiency class
- 7 Acoustical noise emissions in decibels, calculated during the washing and spinning phases, for the standard 60°C cotton programme at full load
- 8 Numbering of the regulation

The energy classification is based on an energy efficiency index (EEI) which measures the improvement in the annual energy consumption value. The annual consumption indicated on the label takes into account: the energy consumption in the 60°C cotton programme at full and partial load, the energy consumption in the 40°C cotton programme at partial load, and also the energy consumption while in the left-on mode and off-mode.

The values for the water consumption and the spin-drying efficiency class are based on the same set of cycles as the energy consumption data.

The energy efficiency classes are outlined in the following table:

Energy Efficiency Class	Energy Efficiency Index EEI	Average energy saving compared to efficiency class "A"
A+++ (most efficient)	EEI < 46	32%
A++	46 ≤ EEI < 52	24%
A+	52 ≤ EEI < 59	13%
A	59 ≤ EEI < 68	
B	68 ≤ EEI < 77	
C	77 ≤ EEI < 87	
D	87 ≤ EEI < 100	

Washing with your Neff laundry appliance

Neff's exciting range of laundry appliances are designed to blend seamlessly with the rest of your kitchen. You'll find they provide a range of indispensable features that will make laundry less of a chore and more of a pleasure.

LARGER CAPACITY & EXTRA LARGE DOOR

The **W5420X0** and **W5440X0** feature an even larger drum than ever before. It's one of the largest drums currently available on an integrated laundry appliance and can now cope with 7kg (that's around 15lb) of laundry in a single wash. This means you can get plenty more clothes washed saving you time and energy. The other benefit is that you get greater fabric care and therefore less creasing when washing a normal sized load. The size of the door has increased to 32cm making it even easier to load and unload your machine.

WHAT DOES THE 3D AQUA SPA WASH SYSTEM DO?

This is a system developed by Neff to get water to penetrate clothes quickly and thoroughly. It uses a combination of specially designed paddles, holes in the back wall of the drum and a unique cascade programme to get the best possible rinsing and washing results in less time.

► Images shown:

- 1 Large drum inside Series 4 Automatic washing machine **W5420X0**
- 2 AquaStop system

SENSITIVE CONTROLS

The introduction of sensitive controls onto the new models will ensure that selecting your programmes is as easy and as accurate as possible. Touch controls are much more sensitive, so you can be confident that you are selecting the programmes that you require.

FEATURES

► Out of balance system

Neff machines will automatically try to rebalance an unbalanced load. If this isn't possible, it will either reduce the spin or cut the spin out altogether to avoid potential damage.

► Inverse logic

The washing machine assumes the clothes are lightly soiled, rather than dirty. This reduces wash time by around 40%. For heavily soiled clothes, you should use the intensive setting.

► Time delay

You can programme your machine 1/24 hours in advance to suit your schedule or take advantage of off peak electricity rates.

► Fluff removal cycle

This special programme should be used after each drying cycle. It will make sure that the fluff created by the drying cycle inside the drum and tub is eliminated preventing fluff on the next wash load.

► Pause facility

This useful function enables you to suspend the programme, perhaps if you have to go out and then re-start the programme on your return.

► SensorDrying

Continuous monitoring of the drying performance by sophisticated sensor electronics, prevents over heating and over drying by stopping automatically when the correct level of dryness is reached. It will all also save you time and energy and deliver the finest fabric care whilst reducing ironing to a minimum.

► Foam detection system

If too much detergent has been added, the programme is automatically adjusted to reduce the foam in the appliance by adjusting the drum movement and adding an extra rinse cycle.

► FlexiTime

This is a time reduction feature that enables you to select any programme and then select FlexiTime. Your programme will then be reduced in time by up to 30% – it does this by reducing the time taken by the washing phase of the programme and therefore does not use any additional energy.

► AquaStop/AquaSecure Plus

This protects inlet and outlet hoses from leakage. A safety valve, independent of the electricity supply, prevents any more water from entering the washing machine and overflowing.

► LED display

The **W5440X0** has a set of programme progress symbols and time indicator on the control panel which tells you how much time there's remaining on the cycle.

► Multi-programme pre wash

A pre wash can be selected for any programme except woollens.

PROGRAMMES

The new selection of programmes will ensure that your wash is as efficient as possible. There's an extensive range to suit every type of fabric and laundry task, but here's a few special programmes.

There's a **Rapid 15** option, which will ensure that you can achieve the best wash results in the minimum amount of time, great for those days where there's a mountain of laundry to get through!

In addition there's a new **PowerWash 60** Programme providing you with the opportunity to wash 5kg in 60 minutes whilst ensuring an A wash performance.

Finally there's a new **Sensitive Wash** and **Night Wash** Programme. The **Sensitive Wash** Programme is a great help if sensitive skin is an issue for you.

It works by maintaining the same wash temperature throughout the cycle to eliminate any bacteria and increases the water level throughout and gives a more intense rinse to reduce the exposure to allergens that normally irritate sensitive skin.

The **Night Wash** Programme has been created to wash and dry in the quietest way possible in the washing and drying cycle to enable you to use this during an off peak period.





► Images shown:
 1 Series 5 Automatic washing machine W5440X0
 2 CircoCare Drum System

CircoCare Drum System

Neff washing machines feature the new CircoCare Drum System. Our experts strive to achieve perfect wash results and through this new system, we guarantee a new kind of unrivalled washing perfection is achieved.

The CircoCare Drum System focuses on improvements in two areas, the internal drum and paddles. The new drum structure features a series of raised droplets across the surface. These ensure that the clothes are given a more powerful, yet gentle wash and work in conjunction with new paddles, which are designed to provide a greater movement of water.

The paddles have two different edges. The steep edge creates a stronger force and the shallow edge ensures the clothes glide over more gently. The combination of the two new features will ensure that you achieve first class results.

APPLIANCES WITH CIRCO CARE DRUM SYSTEM

Series 5	
Automatic washing machine W5440X0	296
Series 4	
Freestanding combined washer dryer V7446	294
Automatic washing machine W5420X0	297



► Images shown:

- 1 Series 5 Automatic washing machine W5440X0
- 2 CircoCare Drum System

Laundry in detail

SERIES 4



Freestanding combined washer dryer

V7446

► CircoCare drum system



► Programmes and functions

Fully electronic control dial for all wash and special programmes

Special programmes –

Powerwash 60

Sensitive programme

Rapid 15

Mixed Load

Handwash/Wool

Delicates/Silk

Fluff removal cycle

Touch control buttons – Start/Reload,

Less ironing option, Extra rinse

option for best rinsing results, Wash

plus EcoPerfect, SpeedPerfect

Plus for best wash performance,

Spin speed reduction, Prewash,

Drying time, Time delay

► Features

AirCondensation drying technology – no water consumption during the drying cycle

Autodry function and timed dry options

AquaSpa wash system

Time Delay upto 24 hours

Time remaining indication

Detailed specifications

298

Detailed dimensions

299

Overdosage indication

Reload facility

Overdosage indication

Foam detection system

Monitoring system adjusts load distribution and programme settings to protect clothes

Child lock

► Design

Large LED display for programme progress indication, temperature, spin speed, time delay and time remaining

CircoCare drum system

Extra large porthole with grey-black door and 165 degree opening

► Technical information

Capacity – 7Kg washing, 3.5Kg for drying

Non stop wash and dry 4Kg

Drum volume: 56 litres

A rated for washing

B rated for energy and spin

Energy wash and dry 5.67kwh

Water wash and dry 57 litres

Spin speed selection 1200 to 400 rpm

Noise level –

54 dB re 1pW during washing

73 dB re 1pW during spinning

SERIES 4

Freestanding automatic washing machine

W7460



► Programmes and functions

VarioPerfect: speed or energy efficiency with perfect wash performance every time

Fully electronic control dial for all wash and special programmes

Special programmes –

Dark Wash programme

Sensitive programme

Rapid 15

Mixed Load

Handwash/Wool

Delicates/Silk

Touch control buttons – Start/Reload,

Less ironing option, Extra rinse option

for best rinsing results, EcoPerfect,

SpeedPerfect, Spin speed reduction/

Rinse hold

► Features

AquaSpa wash system

Time Delay upto 24 hours

Time remaining indication

Overdosage indication

Reload facility

Detailed specifications

298

Detailed dimensions

299

Overdosage indication

Foam detection system

Monitoring system adjusts load distribution and programme settings to protect clothes

Child lock

► Design

Large LED display for programme progress indication, temperature, spin speed,

30 cm porthole, white with 180

degree opening

Can be built under

► Technical information

Capacity – 7kg capacity washing

A rated for washing

B rated for spinning

Energy consumption: A-20%

Energy 1.05kwh

Water consumption – 47 litres

Drum volume – 55 litres

Spin speed selection 1200 to 400 rpm

Noise level –

59 dB re 1pW during washing

78 dB re 1pW during spinning

SERIES 4



Freestanding condenser tumble dryer

R8580



► Programmes and functions

Fully electronic control dial for sensor drying, including timed and special programmes

Special programmes –

Steam Dry – Daily load and shirts

Steam Refresh – Business and

Freshen up

Mixed Load

Woollens

Mixed Load

Sportswear

Rapid 40

Touch control buttons – Start/Stop,

Low Heat/Super Delicate, Less

ironing, Menu, Change

► Features

Special programme with a steam

function to reduce creasing

Special programme with steam

to refresh both professional and

leisure wear

Sensitive Drying – Large stainless

steel drum with textile care and

revolution drying system

Detailed specifications

298

Detailed dimensions

299

Anti crease cycle 120 minutes at the end of the programme

Child lock

► Design

LCD display for special functions

Drum interior light

Round glass door grey/black trim

Metal door catch

Can be built under

► Technical information

Capacity – 8Kg

B rated for energy

Condenser drying with steam function

Energy consumption – 8Kg cotton

cupboard dry –

1400 rpm 3.74kWh 105 mins

1000 rpm 4.49kWh 122 mins

Noise level –

63 dB re 1pW during drying

SERIES 5

Automatic combined washer dryer

V6540X0



► Programmes and functions

15 clothes care programmes

Mixed load programme at 30°C

Handwash wool and delicates

FlexiTime option

Rapid 15 – fastest complete wash

programme

Sensitive wash

Sports wash

Night wash

Fluff removal cycle

Reduced time option – reduces wash

times by up to 30%

2 drying levels – normal and delicate

► Features

Time delay – up to 24 hours

Time remaining indicator

Child safety lock

Pause facility

AquaSecure plus complete

water protection

SensorDrying

Detailed specifications

298

Detailed dimensions

299

► Design

Touch control

LED programme status indicators

Reversible outer door

► Technical information

Capacity – 6kg washing 4kg drying

A rated for washing

B rated for energy and spin

Max 1400rpm spin speed

Water consumption – 52 litres

Noise level –

57 dB re 1pW during washing

74 dB re 1pW during spinning

Laundry in detail

SERIES 4

Automatic combined washer dryer

V6320X0



► Programmes and functions

15 clothes care programmes
Mixed load programme at 30°C
Handwash wool and delicates
Fluff removal cycle

► Features

Timed drying
AquaSpa wash system
Foam detection system
Audible end of programme alarm
Time delay – up to 19 hours
Child safety lock
Pause facility
AquaSecure plus complete water protection
SensorDrying

► Design

Electrical control dial
LED programme status indicator
30cm porthole door with 95° opening

► Technical information

Capacity – 6kg washing 4kg for drying
Drum volume – 52 litres
A rated for washing
B rated for energy and spin
Spin speed selection 1400 to 600rpm
Water consumption – 52 litres
Noise level –
57 dB re 1pW during washing
74 dB re 1pW during spinning

Detailed specifications 298
Detailed dimensions 299

SERIES 5

Automatic washing machine

W5440X0

► CircoCare drum system



► Programmes and functions

15 clothes care programmes
Rapid 15 – fastest complete wash programme
Powerwash 60 – 5kg washed in 60 minutes with A wash performance
Sensitive wash
Mixed load programme
Dark wash
Sports wash
Handwash wool and delicates
Inverse Logic – wash times faster as standard
Multi programme pre-wash selection
Intensive option for heavily soiled garments
Extra rinse option
Variable spin selection

► Features

3D AquaSpa wash system
Pause facility
Time delay up to 24 hours
Time remaining indicator
AquaStop complete water protection

Detailed specifications 298
Detailed dimensions 299

► Design

Touch control
LED display
Reversible hinging of outer door
Extra large porthole door with 130° opening for easy loading and unloading
CircoCare drum system for improved wash performance

► Technical information

Large 7kg capacity
A rated for washing and energy
B rated for spin
Designed to provide -10% energy performance which gives 10% better efficiency than A
Max 1400rpm spin speed
Water consumption – 49 litres
Noise level –
47 dB re 1pW during washing
64 dB re 1pW during spinning

SERIES 4

Automatic washing machine

W5420X0

► CircoCare drum system



► Programmes and functions

15 clothes care programmes
Mixed load programme at 30°C
Handwash wool and delicates
Multi programme pre-wash selection
Inverse Logic – wash times faster as standard
Intensive option for heavily soiled garments
Extra rinse option
Variable spin selection

► Features

3D AquaSpa wash system
Pause facility
AquaStop complete water protection

Detailed specifications 298
Detailed dimensions 299

► Design

Touch control
LED programme status indicators
Reversible hinging of outer door
Extra large porthole door with 130° opening for easy loading and unloading
CircoCare drum system for improved wash performance

► Technical information

Large 7kg capacity
A rated for washing and energy
B rated for spin
Designed to provide -10% energy performance which gives 10% better efficiency than A
Max 1200rpm spin speed
Water consumption – 49 litres
Noise level –
48 dB re 1pW during washing
62 dB re 1pW during spinning

Specifications – laundry

Model No	V7446	W7460	R8580	V6540X0	V6320X0	W5440X0	W5420X0
► Laundry							
Washing machine						•	•
Washer dryer				•	•		
Tumble dryer			•				
Fully integrated				•	•	•	•
Freestanding	•	•	•				
► Series							
	4	4	4	5	4	5	4
► Programmes and functions							
Reduced time/Speed perfect	• / -	- / •		• / -	• / -		
Rinse hold option	•	•		•	•	•	•
Intensive wash/Eco perfect	• / -					• / -	• / -
Mixed programme	•	•		•	•	•	•
Multi programme pre wash	•			•	•	•	•
Handwash wool and delicates	•	•		•	•	•	•
Variable spin selection	•	•		•	•	•	•
Manual drying/auto drying			•	• / •	• / -		
Number of programmes	15	15	15	15	15	15	15
Spin speeds (max)	1400	1400		1400	1400	1400	1200
3D AquaSpa wash system	•	•				•	•
Condenser drying	•		•	•	•		
SensorDrying	•		•	•	•		
► Features							
Time delay	•	•	•	•	•	•	•
Time remaining indicator	•	•	•	•	•	•	•
Pause facility	•	•	•	•	•	•	•
Low heat button	•	•	•	•	•	•	•
Optional signal at end	•	•	•	•	•	•	•
AquaStop/AquaSecure Plus	- / •			- / •	- / •	• / -	• / -
Inverse logic	•					•	•
LED programme status indicators	•	•	•	•	•	•	•
LED display	•	•	•	•	•	•	•
► Design							
Touch control LED programme status indicators	•	•	•	•	•	•	•
CircoCare drum system	•					•	•
► Technical information							
Consumption rates (Wash only) ²							
Energy (kWh)	1.19	1.05	3.74	1.03	1.03	1.19 ¹	1.19 ¹
Water (l)	57	47		52	52	49	49
Programme duration mins	151	188	105	129	129	139	139
Wash performance	A	A		A	A	A	A
Energy performance	B	A	B	B	B	A	A
Spin performance	B	B		B	B	B	B
Maximum wash load (kg)	7	7		6	6	7	7
Maximum drying load (kg)	4		8	4	4		
Total connected load (kW)	2.2	2.3	2.6	2.3	2.3	2.3	2.3
Voltage/cycles	220-240	220-240	220-240	220-240	220-240	220-240	220-240
Fuse protection	10	13	13	10	10	13	13
Water connections							
Cold fill	•	•		•	•	•	•
Water supply with pressure hose ³	•	•		•	•	•	•
Pressure hose with 3/4" screwed joint	•	•		•	•	•	•
Appliance dimensions mm							
Height	842	847	842	820	820	820	820
Width	600	600	598	600	600	600	600
Depth	590	590	625	585	585	560	560
Weight	89	70	76	89	89	88	88

Notes

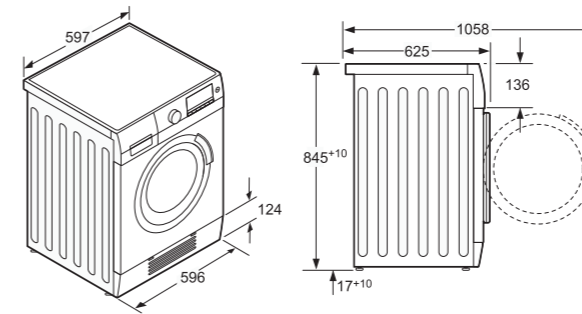
¹ Consumption figures based on 7kg load of cottons on 60° stains intensive

² Consumption figures based on 5kg load of cottons on 60° stains intensive

³ Water pressure required 1-10 bar, flow rate 8L per minute

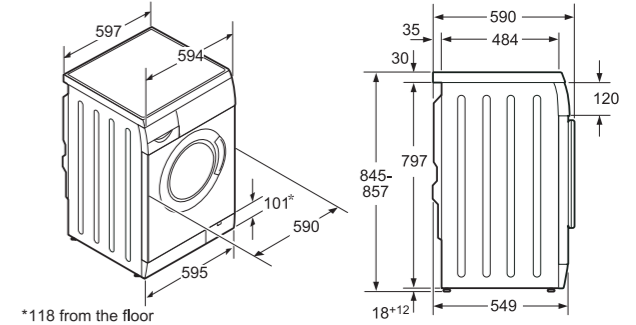
Laundry dimensions

V7446



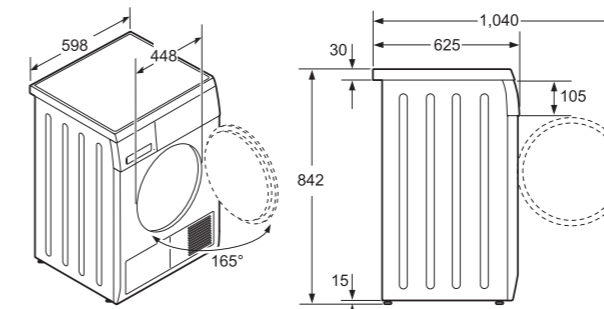
Measurements in mm

W7460



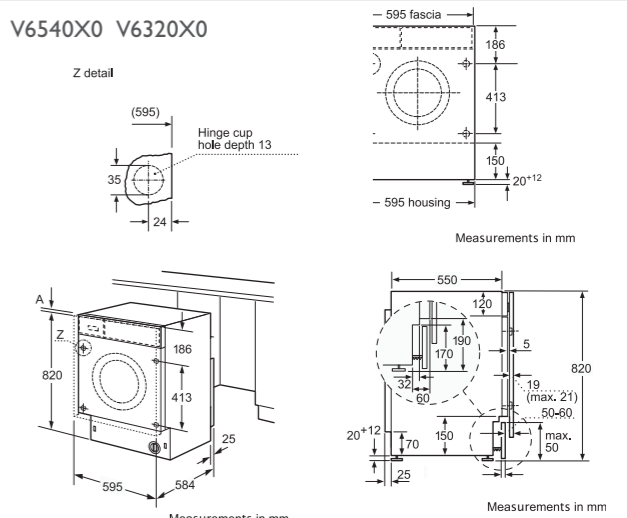
Measurements in mm

R8580



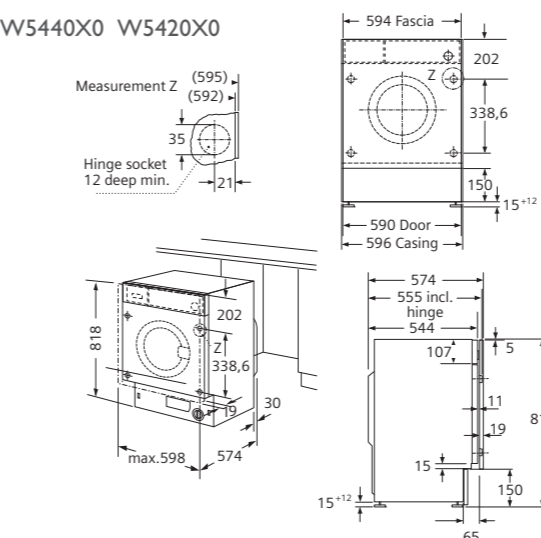
Measurements in mm

V6540X0 V6320X0



Measurements in mm

W5440X0 W5420X0



Measurements in mm