



Dishwashers

WHAT MAKES ONE DISHWASHER BETTER THAN ANOTHER? A full scale dinner party or a meal for one, a Neff dishwasher can handle anything you need it too. And that includes bulky pans and casserole dishes. Innovations like our unique VarioFlex Plus baskets with VarioDrawer give you the complete flexibility you need for the way we cook today.

We do our best to make all our appliances energy efficient and as environmentally friendly as possible, and our dishwashers are no exception. All our machines are A rated for washing and drying and are at A+ or A++ for energy performance. Tests have proven that they use far less water than washing up by hand, and you can use a timer to take advantage of off peak electricity costs.



► **Featured dishwasher**
Series 5 Fully integrated S5IT69X2GB

IN THIS SECTION

Choosing the right dishwasher	266
Energy efficiency and your Neff dishwasher	269
Washing with your Neff dishwasher	270
VarioFlex® baskets	272
NeffSparkle®	273
Dishwashers in detail	274
Detailed specifications	281
Detailed dimensions	283

Ovens

Compact appliances

Hobs

Extractor hoods

Fridges & freezers

Dishwashers

Laundry

Choosing the right dishwasher

FULLY INTEGRATED



1

SEMI INTEGRATED



2

IN-LINE



3

Images shown:

- 1 Series 5 Fully integrated dishwasher S51T69X2GB 815mm
- 2 Series 5 Semi integrated dishwasher S41T69N1GB 815mm

- 3 Series 5 In-Line dishwasher S65M63 450mm with Series 5 coffee centre C77V60, small warming drawers N21H40 and N21H45
- 4 Series 3 Fully integrated slimline dishwasher S58M40 815mm

SLIMLINE



4

IN-LINE DISHWASHERS

The compact appliance collection includes two built in dishwashers. Designed to be built in with other compact appliances as an additional feature in your kitchen, they are available in two sizes 45cm high S65M63, which holds six place settings and 60cm high S66M63, which holds eight place settings. A great addition to any kitchen. Please see page 274 and pages 281/282 for full product specification.

CHOICE OF HEIGHTS

Our fully integrated dishwashers come in two height sizes 815mm and 865mm. The 865mm dishwashers are adjustable between 865mm-925mm. This allows an extra 5cm of interior space which means you can accommodate larger items such as 33cm plates.

OPTIONS

All the dishwashers in our range have a triple A rating for washing, drying and A+ or A++ for energy performance. Most of them are fully integrated, with the control panel hidden from view.

FULL SIZE DISHWASHERS

Neff dishwashers are sophisticated kitchen appliances – all come with a choice of programmes, from intensive washes capable of tackling tough, dirty dishes, to delicate washes for glassware and fine crockery. They've been designed to be as flexible and accommodating as possible, with adjustable baskets and racks helping you to load large or awkward items with no problem at all.

VARIOHINGE MODELS

In addition to the two height sizes, dishwashers with VarioHinge, S72T69X2GB, S71M63X1GB and S72M63X1GB, allow for installation in kitchens with lower plinths.

SLIMLINE DISHWASHER

Where space is an issue, you could consider our two slimline models Series 4 S58M69 and Series 3 S58M40. Just 45cm wide, these fit snugly into the smallest of spaces, but still offer all the features of a full size model – including different washing programmes. And they are still surprisingly roomy, able to cope with nine and ten international place settings at a time.

WHEN YOU CHOOSE YOUR DISHWASHER, YOU SHOULD CONSIDER THE FOLLOWING:

- ▶ **What type of dishes, pots, pans and glasses do you use?** Neff have developed the VarioFlex Plus basket system and NeffSparkle® to give you flexible options for loading all the various kitchen items you use. This includes 2 or 3 level RackMatic which enables you to wash very large items (see image 2 on page 270).
- ▶ **Do you need your dishwasher to fit into a small space?** See 'Options' on this page.
- ▶ **What type of programmes would you like?** See page 270.
- ▶ **What other key functions are important to you?** See 'Functions' on page 271.

Choosing the right dishwasher

- Images shown:
- 1 Black finish
 - 2 Brown finish
 - 3 White finish
 - 4 Stainless steel finish

EFFICIENCY

Dishwashers use less electricity and water than washing up by hand. A typical consumer washing up by hand will use approximately 50 litres of water every time. Compare that to a dishwasher which can use as little as 9 litres without compromising energy or wash quality. At Neff we've gone to great lengths to make our dishwashers even more efficient.

Water

Dishwashers within Series 3, 4 and 5 feature AquaSensor III, which allows water from the first rinse cycle to be re-used if it's clean enough. This can save up to 4 litres of water. Alternating spray arms also reduce water consumption by up to 25%. A Half Load feature is included on some of our models. This means you won't have to wait until your dishwasher is full.

Simply load up to half the dishwasher using the upper or lower basket and it will use 30% less water than a full load.

Energy

New energy labelling is being introduced which will help you to decide which are the most energy efficient appliances. Neff

appliances all have an energy class of A+ or A++. Some models have a heat exchanger system which uses the heat generated in the wash cycle, helping to preheat the water for subsequent rinse cycles and no additional energy is required for the drying cycle. The Half Load feature on some of our models uses 15% less energy.

Look for the following logo for our most efficient products.



NOISE

We aim to reduce the noise our dishwashers make wherever possible. We are proud to have some of the quietest models on the market;

- S5IT69X2GB** (41 decibels)
- S72T69X2GB** (41 decibels)
- S5IM63X1GB** (42 decibels)
- S7IM63X1GB** (42 decibels)
- S72M63X1GB** (42 decibels)
- S4IT69X1GB** (41 decibels)
- and **S4IT63N0GB** (42 decibels).

DetergentAware

If combined 'three-in-one' or 'four-in-one' detergents are used, the washing and drying programmes automatically adjust to produce added shine, even in hard water areas.



FINISHES

The control panel on the **S4IT69X1GB** comes in stainless steel to match your kitchen appliances. The control panel has ClearText and a glass fascia panel exactly like Neff ovens.

The **S4IM63N0GB** also comes with a stainless steel control panel and the **S4IE50** comes in black, brown, white and stainless steel to provide a semi-integrated version which will co-ordinate with coloured appliances.

FAQs

- **Can I programme my dishwasher to come on when electricity costs are lower?** Yes, several of our dishwashers have a time delay function which lets you set the dishwasher anything from 1-24 hours in advance. This means you can take advantage of off peak electricity costs. A remaining time display updates the time throughout the programme.
- **Can I fit in all my casserole dishes and saucepans?** All our dishwashers have foldable racks in the bottom baskets; if these lie flat, casserole dishes and pans can be accommodated. The spray from the bottom, top and middle of the machine will thoroughly clean these items. Top of the range models have VarioFlex Plus baskets, which give you even more options for smaller/larger items.
- **How do I know when my dishwasher needs more salt or rinse aid?** All Neff dishwashers have an electronic salt and rinse aid indicator light that illuminates when your machine needs refilling.

Energy efficiency and your Neff dishwasher

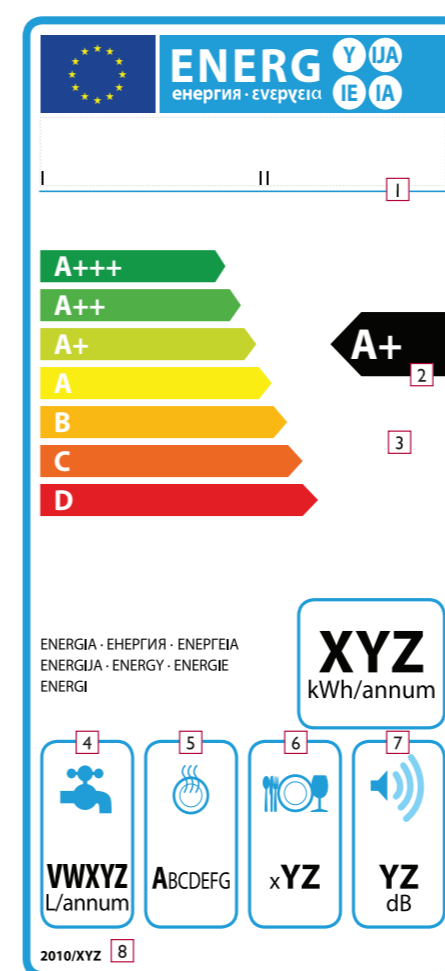


When it comes to cleanliness and hygiene, many people still operate under the mistaken notion that the more you use, the better the results – all too often to the detriment of the environment.

Today, however, the technologies being developed for dishwashers are becoming more and more sustainable, significantly reducing their water and energy consumption and allowing you to concentrate on what you most enjoy about your kitchen: delicious cooking. By familiarising yourself with and understanding the new energy label you'll be able to discover which are the most energy efficient appliances for you to consider.

THE DISHWASHER ENERGY EFFICIENCY LABEL

- 1 Supplier's name or trademark and model identifier
- 2 Energy efficiency class
- 3 Annual energy consumption in kWh (based on 280 standard cleaning cycles per year)
- 4 Water consumption in litres per year (based on 280 standard cleaning cycles per year)
- 5 Capacity in terms of standard place settings
- 6 Drying efficiency class
- 7 Noise emissions in decibels
- 8 Numbering of the regulation



► E-TIPS

TAKE FULL ADVANTAGE OF THE VARIETY OF PROGRAMMES AVAILABLE

It's always best to run your dishwasher with a full load, but sometimes you'll have to do it when it's half full. In this case, simply press the Half Load button if you have it. This special function reduces water and energy consumption as well as the duration of the cycle.

Washing with your Neff dishwasher

Every household's different, and every day's different. That's why we've developed a range of dishwashers which can handle any eventuality.

From quick washes at 45°C to intensive washes at 70°C, and automatic sensor washes up to 75°C, there's a full choice of different temperature settings and wash cycles on all our models. Plus a host of additional features which will make cleaning up after a meal easier and more effective than ever.

PROGRAMMES

Automatic programmes

Around half of all dishwasher users choose the wrong wash temperature. There are two automatic programmes, dependent on which model, to choose from, normal and intensive.

VarioSpeed®

This function provides a quicker wash option that is up to 50% faster and still provides a hygienically clean and dry load.

Half load

If you can't wait for a full load, why not use the Half load programme which uses 30% less water and 15% less energy than a full load. This programme will wash up to six place settings and is flexible enough to enable you to load those anywhere in the dishwasher.

Intensive wash zone

This zone is in the bottom basket giving higher wash temperatures and increased spray arm pressure whilst maintaining a more gentle wash for the top basket. This zone is ideal for heavily soiled saucepans. It's almost like creating dual zones in your dishwasher, intensive in the bottom, gentle in the top.

Hygiene option

A hotter final rinse of up to 77°C for 10 minutes gives peace of mind for items such as chopping

boards and cooking utensils which require more intense cleaning.

MULTI A WASH

All Neff dishwashers will give you A rated cleaning results on all wash programmes above 45°C (though this does not apply to cycles where the VarioSpeed® function has been used).

INTEGRATION

Most of the dishwashers in our current range are fully integrated versions, accepting a full furniture door to conceal everything, including the control panel. They're easy to fit and will co-ordinate with the rest of your kitchen. Some models, like the **S4IT69NIGB**, **S4IM63N0GB** and the **S4IE50** are semi integrated and feature a visible control panel on the front of the dishwasher to co-ordinate with a Neff oven, with a furniture door fitted below the panel. Elegant stainless steel side strips can be used on all 60cm models to create a more finished appearance (**Z7860X0** for 815cm high and **Z7861X0** for 865cm high).

A new stainless steel door accessory **Z7790X0** (815cm models) is available for all fully integrated models. This has a bar handle to match Neff ovens.



Images shown:

- 1 Fully integrated dishwasher with stainless steel door accessory **Z7790X0** (815mm high model)
- 2 3 level RackMatic system with VarioDrawer
- 3 Height difference between an 815mm and 865mm dishwasher providing an extra 50mm of internal space
- 4 & 5 DosageAssist
- 6 VarioDrawer

FUNCTIONS

▶ AquaStop

This protects inlet and outlet hoses from leakage. A safety valve, independent of the electricity supply, prevents any more water from entering the dishwasher and overflowing even when the machine is off.

▶ Child safety lock

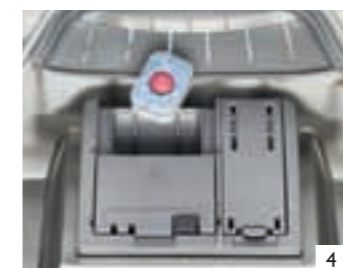
A child safety lock facility is available on many of our dishwasher models. This can be installed on the machine at the time of installation. The child lock will prevent children from being able to open the door easily.

▶ Concealed heater

The concealed heating element is under the base of the dishwasher and the water is heated by flowing through it. Plastic dishes placed in the bottom basket are protected from melting.

▶ DosageAssist

DosageAssist is a method of ensuring perfect cleaning results are achieved with every wash cycle. This feature releases the dishwasher tablet into a tray at the front of the upper basket. A specific jet of water from the spray arm ensures that the tablet is dissolved and used at precisely the right time during the wash cycle. DosageAssist works just as effectively with powder, gels or liquid detergents.



▶ DuoPower spray arm

New from Neff, the DuoPower Spray Arm powerfully distributes water for a truly thorough clean.

▶ Efficient silent drive

Due to the pump continually adapting power and pressure, water and energy are kept to a minimum.

▶ Heat exchanger

This system ensures that the drying phase of programmes are energy efficient and because there are no extremes of temperatures you can be sure that your delicate glassware will be protected.

▶ Residual drying system

Modules without a heat exchanger system feature a residual drying system. This uses a very hot final rinse programme which allows water to evaporate, leaving your items beautifully clean and dry. If you are used to putting items of plasticware in your dishwasher we would recommend using the ExtraDry function. This will mean that they are left perfectly dry.

▶ Dishwasher maintenance

We are always seeking a perfect wash performance. You can also assist with this by checking and cleaning your filter at least once a week. In addition, we also recommend using a Finish dishwasher cleaner on the hottest cycle available to remove any build up of grease in the wastepipes.



▶ Height adjustable

This enables installation to be more flexible. Two models, the **S72T69X2GB** and the **S72M63X1GB**, are now height adjustable 865mm-925mm, allowing an extra 5cm of interior space for use. This is particularly useful in kitchens with lower plinths.

▶ InfoLight

An information light is on many of the fully integrated models. A red light is projected on to the floor at the front of the machine while the programme is running as an added safety feature.

▶ Large item spray

This great facility, in all our machines, is designed for washing roasting pans, oven shelves, tall vases etc. The top basket is removed, and an additional spray head is fitted to the back of the appliance. This showers the items to achieve excellent cleaning results.

▶ Piezo control

The panel on the **S4IT69NIGB** features Piezo control. Programmes are selected by lightly touching.

▶ RackMatic

Our RackMatic system now features three different levels. It means that you can raise or lower the top basket in stages (2.5cm at a time) even when it's fully loaded. It also allows you to pull out the top basket to a fully extended position for easier loading and unloading.



▶ ServoLock

This allows the door to close virtually by itself. It is achieved through precision engineering of the spring pressure on the door catch, giving you a tight, secure seal with minimum effort.

▶ Tamperproof control

The semi integrated version **S4IM63N0GB** has a tamperproof control. Simply press and hold the "key" symbol for 4 seconds to activate/deactivate the facility, preventing children from starting or changing the programmes.

▶ Time delay

The time delay lets you pre-programme the dishwasher in advance to take advantage of off peak electricity costs. A remaining time display updates the time throughout the programme.

▶ VarioDrawer

This additional loading level offers more flexibility, making room for larger utensils such as soup ladles or serving spoons or even espresso cups. The VarioDrawer dramatically increases the capacity of the dishwasher.

▶ VarioHinge

VarioHinge allows the installation of dishwashers more easily in kitchens with lower plinths.

VarioFlex® baskets

“ AS THE NAME SUGGESTS, VARIOFLEX® GIVES YOU ALL THE FLEXIBILITY YOU NEED TO MAKE THE MOST OF YOUR DISHWASHER.”

Fitting different sized plates, pans, bowls and casserole dishes in a dishwasher can be a challenge. As the name suggests, VarioFlex® gives you all the flexibility you need to make the most of your dishwasher.

We've made our dishwashers as adaptable as they possibly can be. Models with Vario and VarioFlex® Plus baskets mean that the racks fold down so you can lay bulky items flat in the baskets. Spray from the top, bottom and middle of the machine then cleans them thoroughly.

- Images shown:
- 1 S4IT69X1GB with Piezo touch control
 - 2 & 3 Flexible baskets that can easily accommodate tall stem wine glasses and large saucepans
 - 4 The VarioDrawer on the top level to hold cutlery and utensils

The inclusion of VarioDrawer on our top of the range dishwashers offers an additional loading level for cutlery and other utensils for greater flexibility.

RackMatic is another innovative system, included on some of our dishwashers, that means you can raise or lower the top basket even when fully loaded into three different positions. It also allows you to pull out the top basket to fully extend for easy loading and unloading.



DISHWASHERS WITH VARIOFLEX® PLUS BASKETS AND VARIODRAWER WITH 14 PLACE SETTINGS

Series 5	
Fully integrated S5IT69X2GB	274
Fully integrated S72T69X2GB	275
Semi integrated S4IT69N1GB	275

DISHWASHERS WITH VARIOFLEX® BASKETS WITH 13 PLACE SETTINGS

Series 4	
Fully integrated S5IM63X1GB	276
Fully integrated S72M63X1GB	276
Fully integrated S71M63X1GB	277

NeffSparkle®

“ NEFFSPARKLE® IS AN AUTOMATIC PROGRAMME DESIGNED SPECIALLY FOR MIXED LOADS WHICH TREATS GLASSWARE WITH EXTRA CARE.”

We've done our research, and found that one of the main things that puts people off buying a new dishwasher is potential damage to glassware. Even people who can't live without their dishwashers tend to wash their best glasses by hand to keep them in pristine condition.

And they have a point. Extreme temperatures, hard water and over-softened water can all have a detrimental effect on the smooth, delicate surface of glass. Glasses can easily get shunted around inside the dishwasher, and if they rub up against each other,

this creates fine scratches and markings. What's more, drying glasses using hot air leaves streaks and drips, and can make them too hot to handle for unloading.

Taking all these points into account, we developed the five-point NeffSparkle® Glasscare system for all our new Series 4 and Series 5 dishwashers.

NeffSparkle® is an automatic programme designed specially for mixed loads which treats glassware with extra care, and includes AquaVario, a sensitive low-pressure spray system.



DISHWASHERS WITH NEFFSPARKLE®

Series 5	
Fully integrated S5IT69X2GB	274
Fully integrated S72T69X2GB	275
Semi integrated S4IT69N1GB	275
Series 4	
Fully integrated S5IM63X1GB	276
Fully integrated S72M63X1GB	276
Fully integrated S71M63X1GB	277
Semi integrated S4IM63N0GB	277
Integrated slimline S58M69	278
Series 3	
Integrated slimline S58M40	279



Dishwashers in detail

Note: Furniture door required on all semi integrated and fully integrated models

Note: Furniture door required on all semi integrated and fully integrated models

SERIES 4



Dishwasher **S66M63/S65M63**
Available in stainless steel **600mm 450mm**



Programmes and functions

- 6 programmes
- Pre-rinse
- Quick wash 45°C
- Auto daily 45-65°C
- Eco 50°C
- Delicate 40°C
- Intensive 70°C

Features

- VarioSpeed®
- Hygiene option
- DosageAssist
- Time delay (1-24 hours)
- LED time remaining indicator
- LED salt and rinse indication
- HydroMix glass care technology
- Child safety lock
- DetergentAware
- Heat exchanger
- AquaSensor III
- AquaStop complete water protection
- Water softener

Design

- Bevelled glass fascia
- Silver baskets with foldable plate racks

Detailed specifications **97**
Detailed dimensions **99**

Push button controls
Tamperproof controls
Stainless steel/Polinox interior
Curved bevelled bar handle

Technical information

8 international place settings on S66M63
6 international place settings on S65M63
Energy efficiency – Triple A rated for washing, energy and drying
Energy efficiency A+
Energy consumption in programme Eco 50° – 0.73/0.62 Kwh
Energy consumption in programme Eco 50° – 205/174 Kwh per year, based on 280 standard cleaning cycles
Water consumption in programme Eco 50° – 8.7 litres/7.5 litres

Noise at maximum 47dB re 1pW, extremely quiet

Note: S66M63 co-ordinates with all standard **600mm** high single ovens. S65M63 co-ordinates with all oven models with a SlideAway door. The S65M63 is part of the In-Line Collection (see page 71). Products also shown on pages 78/79.

SERIES 5



Fully integrated **S51T69X2GB**
815mm

- VarioFlex® Plus baskets with VarioDrawer
- NeffSparkle®



Programmes and functions

- Fully automatic programme and temperature selection
- 6 programmes
- Pre-rinse
- Quick wash 45°C
- Auto daily 45-65°C
- Eco 50°C
- GlassCare 40°C
- Auto intensive 65-75°C
- VarioSpeed®
- Extra dry
- Intensive wash zone
- Hygiene option

Features

- DosageAssist
- NeffSparkle®
- Time delay (1-24 hours)
- LED time remaining indicator
- Programme end indicator
- LED salt and rinse indicators
- InfoLight
- Multi A wash
- DetergentAware
- Heat exchanger
- AquaSensor III

Note: S66M63 co-ordinates with all standard **600mm** high single ovens. S65M63 co-ordinates with all oven models with a SlideAway door. The S65M63 is part of the In-Line Collection (see page 71). Products also shown on pages 78/79.

Detailed specifications **281-282**
Detailed dimensions **283**

ServoLock
AquaStop complete water protection
Design
Touch control
VarioFlex® Plus baskets and VarioDrawer
3 level RackMatic system for easy adjustment of top basket
6 foldable racks in upper basket, 6 in lower basket
Large item spray facility
5 spray levels
Child safety lock
Stainless steel interior
Height adjustable 815-875mm

Technical information

14 international place settings
Performance – A rated for washing and drying
Energy efficiency A++
Energy consumption in programme Eco 50° – 0.93 Kwh
Energy consumption in programme Eco 50° – 266 Kwh per year, based on 280 standard cleaning cycles
Water consumption in programme Eco 50° – 10 litres

Noise level – 41dB re 1pW, practically silent

Optional accessories

Full stainless steel door available **Z7790X0**
Stainless steel side strips **Z7860X0**

SERIES 5



Fully integrated **S72T69X2GB**
865mm

- VarioFlex® Plus baskets with VarioDrawer
- NeffSparkle®



Programmes and functions

- Fully automatic programme and temperature selection
- 6 programmes
- Pre-rinse
- Quick wash 45°C
- Auto daily 45-65°C
- Eco 50°C
- GlassCare 40°C
- Auto intensive 65-75°C
- VarioSpeed®
- Extra dry
- Intensive wash zone
- Hygiene option

Features

- DosageAssist
- NeffSparkle®
- Time delay (1-24 hours)
- LED time remaining indicator
- Programme end indicator
- LED salt and rinse indicators
- InfoLight
- Multi A wash
- DetergentAware
- Heat exchanger
- AquaSensor III

Detailed specifications **281-282**
Detailed dimensions **283**

ServoLock
VarioHinge
AquaStop complete water protection
Design
Touch control
VarioFlex® Plus baskets and VarioDrawer
3 level RackMatic system for easy adjustment of top basket
6 foldable racks in upper basket, 6 in lower basket
Large item spray facility
5 spray levels
Child safety lock
Stainless steel interior
Height adjustable 865-925mm

Technical information

14 international place settings
Performance – A rated for washing and drying
Energy efficiency A++
Energy consumption in programme Eco 50° – 0.93 Kwh
Energy consumption in programme Eco 50° – 266 Kwh per year, based on 280 standard cleaning cycles
Water consumption in programme Eco 50° – 10 litres

Noise level – 41dB re 1pW, practically silent

Optional accessories

Full stainless steel door available **Z7790X0**
Stainless steel side strips **Z7860X0**

SERIES 5



Semi integrated **S41T69NIGB**
Available in stainless steel **815mm**

- VarioFlex® Plus baskets with VarioDrawer
- NeffSparkle®



Programmes and functions

- Fully automatic programme and temperature selection
- 6 programmes
- Pre-rinse
- Quick wash 45°C
- Auto daily 45-65°C
- Eco 50°C
- GlassCare 40°C
- Auto intensive 65-75°C
- VarioSpeed®
- Extra dry
- Intensive wash zone
- Hygiene option

Features

- DosageAssist
- NeffSparkle®
- Time delay (1-24 hours)
- LED Time remaining indicator
- LED salt and rinse indicators
- Multi A wash
- DetergentAware
- Heat exchanger
- AquaSensor III
- ServoLock
- AquaStop complete water protection
- Water softener

Detailed specifications **281-282**
Detailed dimensions **283**

Design

Piezo control
ClearText display
VarioFlex® Plus baskets and VarioDrawer
3 level RackMatic system for easy adjustment of top basket
6 foldable racks in upper basket, 6 in lower basket
Large item spray facility
5 spray levels
Child safety lock
Stainless steel interior
Height adjustable 815-875mm

Technical information

14 international place settings
Energy rating – Triple A rating for washing, energy and drying
A -10% Energy performance
Energy efficiency A++
Energy consumption in programme Eco 50° – 0.93 Kwh
Energy consumption in programme Eco 50° – 266 Kwh per year, based on 280 standard cleaning cycles
Water consumption in programme Eco 50° – 10 litres

Noise level – 41dB re 1pW, practically silent

Optional accessories

Stainless steel side strips **Z7860X0**

Ovens

Compact appliances

Hobs

Extractor hoods

Fridges & freezers

Dishwashers

Laundry

Dishwashers in detail

Note: Furniture door required on all semi integrated and fully integrated models

Note: Furniture door required on all semi integrated and fully integrated models

SERIES 4

Fully integrated **S51M63XIGB**


- VarioFlex® baskets
- NeffSparkle®



Programmes and functions

- 6 programmes
- Pre-rinse
- Quick wash 45°C
- Auto daily 45-65°C
- Eco 50°C
- GlassCare 40°C
- Intensive 70°C
- VarioSpeed®
- Intensive wash zone
- Extra dry

Features

- DosageAssist
- NeffSparkle®
- HydroMix glasscare technology
- Time delay (1-24 hours)
- LED time remaining indicator
- LED salt and rinse indicators
- InfoLight
- Multi A wash
- DetergentAware
- AquaSensor III
- ServoLock
- AquaStop complete water protection
- Heat exchanger

Detailed specifications **281-282**
 Detailed dimensions **283**

Design

- Stainless steel buttons on top edge
- VarioFlex® baskets
- Cutlery holder in lower basket
- 3 level RackMatic system for easy adjustment of top basket
- 4 foldable racks in upper basket, 4 in lower basket
- Large item spray facility
- 5 spray levels
- Child safety lock
- Stainless steel interior
- Height adjustable 815-875mm

Technical information

- 13 international place settings
- Energy rating – Triple A rating for washing, energy and drying

Energy efficiency A++
 Energy consumption in programme Eco 50° – 0.92 Kwh
 Energy consumption in programme Eco 50° – 262 Kwh per year, based on 280 standard cleaning cycles
 Water consumption in programme Eco 50° – 10 litres

Noise level – 42dB re 1pW, practically silent

Optional accessories

- Full stainless steel door available **Z7790X0**
- Stainless steel side strips **Z7860X0**

Detailed specifications **281-282**
 Detailed dimensions **283**

SERIES 4

Fully integrated **S72M63XIGB**


- VarioFlex® baskets
- NeffSparkle®



Programmes and functions

- 6 programmes
- Pre-rinse
- Quick wash 45°C
- Auto daily 45-65°C
- Eco 50°C
- GlassCare 40°C
- Intensive 70°C
- VarioSpeed®
- Intensive wash zone
- Extra dry

Features

- DosageAssist
- NeffSparkle®
- HydroMix glasscare technology
- Time delay (1-24 hours)
- LED time remaining indicator
- LED salt and rinse indicators
- InfoLight
- Multi A wash
- DetergentAware
- AquaSensor III
- ServoLock
- VarioHinge
- AquaStop complete water protection
- Heat exchanger

Detailed specifications **281-282**
 Detailed dimensions **283**

Design

- Stainless steel buttons
- VarioFlex® baskets
- Cutlery holder in lower basket
- 3 level RackMatic system for easy adjustment of top basket
- 2 foldable racks in upper and 2 in lower basket
- Large item spray facility
- 5 spray levels
- Tamperproof controls
- Child safety lock
- Stainless steel interior
- Height adjustable 865-925mm

Technical information

- 13 international place settings
- Energy rating – Triple A rating for washing, energy and drying

Energy efficiency A++
 Energy consumption in programme Eco 50° – 0.92 Kwh
 Energy consumption in programme Eco 50° – 262 Kwh per year, based on 280 standard cleaning cycles
 Water consumption in programme Eco 50° – 10 litres

Noise level – 42dB re 1pW, extremely quiet

Optional accessories

- Stainless steel side strips **Z7860X0**

Detailed specifications **281-282**
 Detailed dimensions **283**

SERIES 4

Fully integrated **S71M63XIGB**


- VarioFlex® baskets
- NeffSparkle®



Programmes and functions

- 6 programmes
- Pre-rinse
- Quick wash 45°C
- Auto daily 45-65°C
- Eco 50°C
- GlassCare 40°C
- Intensive 70°C
- VarioSpeed®
- Intensive wash zone
- Extra dry

Features

- DosageAssist
- NeffSparkle®
- HydroMix glasscare technology
- Time delay (1-24 hours)
- LED time remaining indicator
- LED salt and rinse indicators
- InfoLight
- Multi A wash
- DetergentAware
- AquaSensor III
- ServoLock
- VarioHinge
- AquaStop complete water protection
- Heat exchanger

Detailed specifications **281-282**
 Detailed dimensions **283**

Design

- Stainless steel buttons
- VarioFlex® baskets
- Cutlery holder in lower basket
- 3 level RackMatic system for easy adjustment of top basket
- 2 foldable racks in upper and 2 in lower basket
- Large item spray facility
- 5 spray levels
- Tamperproof controls
- Child safety lock
- Stainless steel interior
- Height adjustable 815-875mm

Technical information

- 13 international place settings
- Energy rating – Triple A rating for washing, energy and drying

Energy efficiency A++
 Energy consumption in programme Eco 50° – 0.92 Kwh
 Energy consumption in programme Eco 50° – 262 Kwh per year, based on 280 standard cleaning cycles
 Water consumption in programme Eco 50° – 10 litres

Noise level – 42dB re 1pW, extremely quiet

Optional accessories

- Stainless steel side strips **Z7860X0**

Detailed specifications **281-282**
 Detailed dimensions **283**

SERIES 4

Semi integrated **S41M63N0GB**


- VarioFlex® baskets
- NeffSparkle®



Programmes and functions

- 6 programmes
- Pre-rinse
- Quick wash 45°C
- Auto daily 45-65°C
- Eco 50°C
- GlassCare 40°C
- Intensive 70°C
- VarioSpeed®
- Intensive wash zone
- Extra dry

Features

- DosageAssist
- NeffSparkle®
- HydroMix glasscare technology
- Time delay (1-24 hours)
- LED time remaining indicator
- LED salt and rinse indicators
- Multi A wash
- DetergentAware
- AquaSensor III
- ServoLock
- AquaStop complete water protection
- Heat exchanger

Detailed specifications **281-282**
 Detailed dimensions **283**

Design

- Stainless steel buttons
- VarioFlex® baskets
- Cutlery holder in lower basket
- 3 level RackMatic system for easy adjustment of top basket
- 2 foldable racks in upper and 2 in lower basket
- Large item spray facility
- 5 spray levels
- Tamperproof controls
- Child safety lock
- Stainless steel interior
- Height adjustable 815-875mm

Technical information

- 13 international place settings
- Energy rating – Triple A rating for washing, energy and drying

Energy efficiency A++
 Energy consumption in programme Eco 50° – 0.92 Kwh
 Energy consumption in programme Eco 50° – 262 Kwh per year, based on 280 standard cleaning cycles
 Water consumption in programme Eco 50° – 10 litres

Noise level – 42dB re 1pW, extremely quiet

Optional accessories

- Stainless steel side strips **Z7860X0**

Detailed specifications **281-282**
 Detailed dimensions **283**

Ovens

Compact appliances

Hobs

Extractor hoods

Fridges & freezers

Dishwashers

Laundry

Dishwashers in detail

Note: Furniture door required on all semi integrated and fully integrated models

Note: Furniture door required on all semi integrated and fully integrated models

SERIES 4



Slimline fully integrated

S58M69

448mm 815mm

▶ VarioFlex® Plus baskets with VarioDrawer

▶ NeffSparkle®



▶ Programmes and functions

6 programmes
Pre-rinse
Quick wash 45°C
Auto daily 45-65°C
Eco 50°C
Delicate 40°C
Intensive 70°C
VarioSpeed
Intensive wash zone

▶ Features

DosageAssist
NeffSparkle®
Time delay (1-24 hours)
LED time remaining indicator
Programme end indicator
LED salt and rinse aid indicator
InfoLight
Multi A wash
DetergentAware
Heat exchanger
AquaSensor III
ServoLock
AquaStop complete water protection
Self cleaning filter system

▶ Design

Silver buttons on top edge
VarioFlex® Plus baskets and VarioDrawer
3 level RackMatic system for easy adjustment of top basket
3 foldable racks in the upper basket
2 in lower basket
Cup shelf in upper basket and cup rack in lower basket
Glass rack in lower basket
Large item spray facility
DuoPower double spray arm
Child safety lock
Stainless steel interior
Height adjustable 815-875mm

▶ Technical information

10 international place settings
448mm wide
Energy rating – Triple A rating for washing, energy and drying

Energy efficiency A+
Energy consumption in programme Eco 50° – 0.84 Kwh
Energy consumption in programme Eco 50° – 290 Kwh per year, based on 280 standard cleaning cycles
Water consumption in programme Eco 50° – 9 litres

Noise level – 48dB re 1pW, quiet

Note: This model is not available until September 2011

Detailed specifications 281-282
Detailed dimensions 283

SERIES 3

Fully integrated

S51M53XIGB

815mm

▶ VarioFlex® baskets



▶ Programmes and functions

5 programmes
Pre-rinse
Quick wash 45°C
Auto daily 45-65°C
Eco 50°C
Intensive 70°C
VarioSpeed®
Half load

▶ Features

DosageAssist
Time delay (1-24 hours)
LED time remaining indicator
Programme end indicator
LED salt and rinse indicators
Multi A wash
DetergentAware
AquaSensor III
AquaStop complete water protection
Water softener
Residual drying system

▶ Design

Stainless steel buttons on metallic finish top edge
VarioFlex® baskets

Detailed specifications 281-282
Detailed dimensions 283

Cutlery holder in lower basket
3 level RackMatic system for easy adjustment of top basket
2 foldable racks in upper basket, 2 in lower basket
Large item spray facility
5 spray levels
Child safety lock
Stainless steel/polinox interior
Height adjustable 815-875mm

▶ Technical information

12 international place settings
Energy rating – Triple A rating for washing, energy and drying

Energy efficiency A+
Energy consumption in programme Eco 50° – 1.02 Kwh
Energy consumption in programme Eco 50° – 290 Kwh per year, based on 280 standard cleaning cycles
Water consumption in programme Eco 50° – 12 litres

Noise level – 46dB re 1pW, extremely quiet

▶ Optional accessories

Full stainless steel door available Z7790X0
Stainless steel side strips Z7860X0

SERIES 3

Slimline fully integrated

S58M40

448mm 815mm

▶ NeffSparkle®



▶ Programmes and functions

4 programmes
Pre-rinse
Quick Wash 45°C
Eco 50°C
Intensive 70°C
VarioSpeed

▶ Features

DosageAssist
NeffSparkle®
Time delay (1-24 hours)
LED time remaining indicator
Programme end indicator
LED salt and rinse aid indicator
InfoLight
Multi A wash
DetergentAware
Heat exchanger
AquaSensor III
ServoLock
AquaStop complete water protection
Self cleaning filter system

Detailed specifications 281-282
Detailed dimensions 283

▶ Design

Silver buttons on top edge
Vario baskets
3 level height adjustable top basket with cup shelf
2 foldable racks in the lower basket
Large item spray facility
DuoPower double spray arm
Child safety lock
Stainless steel interior
Height adjustable 815-875mm

▶ Technical information

9 international place settings
448mm wide
Energy rating – Triple A rating for washing, energy and drying

Noise level – 48dB re 1pW, quiet

Note: This model is not available until September 2011

SERIES 2

Fully integrated

S51E50XIGB

815mm



▶ Programmes and functions

5 programmes
Pre-rinse
Quick wash 45°C
Eco 50°C
Normal 65°C
Intensive 70°C
Half load

▶ Features

Time delay (3/6/9 hours)
LED time remaining indicator
Programme end indicator
LED salt and rinse aid indicators
Multi A wash
DetergentAware
AquaStop complete water protection
Water softener
Residual drying system

▶ Design

Black buttons on top edge
Vario baskets
Cutlery holder in lower basket
Height adjustable when empty

Detailed specifications 281-282
Detailed dimensions 283

2 foldable racks in lower basket
5 spray levels
Stainless steel/polinox interior
Height adjustable 815-875mm

▶ Technical information

12 international place settings
Energy rating – Triple A rating for washing, energy and drying

Energy efficiency A+
Energy consumption in programme Eco 50° – 1.02 Kwh
Energy consumption in programme Eco 50° – 290 Kwh per year, based on 280 standard cleaning cycles
Water consumption in programme Eco 50° – 12 litres

Noise level – 50dB re 1pW, quiet

▶ Optional accessories

Full stainless steel door available Z7790X0
Stainless steel side strips Z7860X0

Ovens

Compact appliances

Hobs

Extractor hoods


Fridges & freezers

Dishwashers

Laundry

Dishwashers in detail

SERIES 2

Semi integrated **S41E50**
Available in black, brown, white or stainless steel  815mm



► Programmes and functions

- 5 programmes
- Pre-rinse
- Quick wash 45°C
- Auto daily 45-65°C
- Eco 50°C
- Intensive 70°C
- Half load

► Features

- VarioSpeed
- Time delay (1-24 hours)
- LED time remaining indicator
- LED salt and rinse indicators
- AquaStop complete water protection
- Water softener
- Residual drying system
- AquaSensor III

► Design

- Colour co-ordinated control panel with knob
- Vario baskets
- Height adjustable upper basket when empty

- Cutlery holder in lower basket
- 2 foldable racks in lower basket
- Large item spray facility
- 5 spray levels
- Stainless steel/polinox interior
- Height adjustable 815-875mm

► Technical information

- 12 international place settings
- Energy rating – Triple A rating for washing, energy and drying

Energy efficiency A+
Energy consumption in programme Eco 50° – 1.02 Kwh
Energy consumption in programme Eco 50° – 290 Kwh per year, based on 280 standard cleaning cycles
Water consumption in programme Eco 50° – 12 litres

Noise level – 48dB re 1pW, quiet

► Optional accessories

- Stainless steel side strips **Z7860X0**

Note: Furniture door required on all semi integrated and fully integrated models

Detailed specifications **280**
Detailed dimensions **282**

Specifications – dishwashers

Model No	S51T69X2GB	S72T69X2GB	S41T69N1GB	S51M63X1GB	S72M63X1GB	S71M63X1GB	S41M63N0GB	S58M69	S51M53X1GB	S58M40	S51E50X1GB	S41E50
► Height	815 – 875	865 – 925	815 – 875	815 – 875	865 – 925	815 – 875	815 – 875	815 – 875	815 – 875	815 – 875	815 – 875	815 – 875
► Colours – semi integrated												
Black												S41E50S0GB
Brown												S41E50B0GB
White												S41E50W0GB
Stainless steel			•	•			•					S41E50N0GB
► Dishwashers												
Fully integrated 60cm	•	•		•	•	•			•		•	
Semi integrated 60cm			•				•					•
Fully integrated 45cm								•		•		
► Series	5	5	5	4	4	4	4	4	3	3	2	2
► Programmes and functions												
Programme number	6	6	6	6	6	6	6	6	5	4	5	5
Auto programmes	2	2	2	1	1	1	1	1	1			
Intensive 70°C				•	•	•	•	•	•	•	•	•
Normal 65°C												•
Auto daily 45°-65°C	•	•	•	•	•	•	•	•	•			•
Delicate 40°C	•	•	•	•	•	•	•	•				
Auto intensive 65°-75°C	•	•	•									
Eco 50°C	•	•	•	•	•	•	•	•	•	•	•	•
Pre rinse	•	•	•	•	•	•	•	•	•	•	•	•
Quick wash 45°C	•	•	•	•	•	•	•	•	•	•	•	•
VarioSpeed®	•	•	•	•	•	•	•	•	•	•		•
Extra Dry	•	•	•	•	•	•	•					
Half load option									•		•	•
Intensive wash zone	•	•	•	•	•	•	•	•				
Hygiene option	•	•	•									
► Features												
DosageAssist	•	•	•	•	•	•	•	•	•	•	•	•
NeffSparkle®	•	•	•	•	•	•	•	•		•		
Delay timer (hours)	1 – 24	1 – 24	1 – 24	1 – 24	1 – 24	1 – 24	1 – 24	1 – 24	1 – 24	1 – 24	3/6/9	1 – 24
LED time remaining indicator	•	•	•	•	•	•	•	•	•	•	•	•
Programme end indicator (audible)	A •	A •	A •	A •	A •	A •	A •	A •	A •	A •	A •	A •
LED rinse aid indicator light/ Salt indicator light	• / •	• / •	• / •	• / •	• / •	• / •	• / •	• / •	• / •	• / •	• / •	• / •
Electronic salt regeneration	•	•	•	•	•	•	•	•	•	•	•	•
InfoLight (on floor)	•	•	•	•	•	•	•	•	•	•	•	•
DetergentAware	•	•	•	•	•	•	•	•	•	•	•	•
Heat exchanger	•	•	•	•	•	•	•	•	•	•	•	•
AquaSensor III	•	•	•	•	•	•	•	•	•	•	•	•
ServoLock	•	•	•	•	•	•	•	•	•	•	•	•
VarioHinge		•			•							
AquaStop water protection	•	•	•	•	•	•	•	•	•	•	•	•
Residual drying system									•		•	•
Self cleaning filter system								•		•		

We would recommend our dishwashers are connected to the mains water supply where possible, however they may also be connected to an external water softener as long as the water softened water is less than 1.1 mmol (70°C) and the water softener in the appliance is turned off. Please contact our Product Advice Team for further information.

Notes

Water pressure required 0.5-10 bars. Flow rate 10L per minute

Where the dishwasher drawer line needs to be extended, additional spacer bars are available as an optional extra.

All Neff dishwashers are suitable for use with doors from 3.5kg-8.5kg.

Dishwashers can be connected to a hot water supply up to a maximum of 60°C.

Ovens

Compact appliances

Hobs

Extractor hoods

Fridges & freezers

Dishwashers

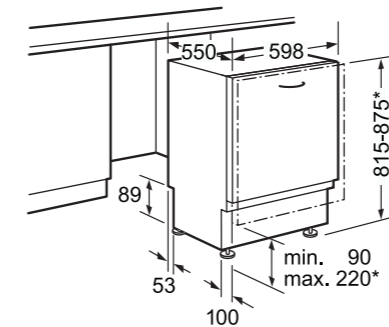
Laundry

Specifications – dishwashers

Model No	S51T69X2GB	S72T69X2GB	S41T69N1GB	S51M63X1GB	S72M63X1GB	S71M63X1GB	S41M63N0GB	S58M69	S51M53X1GB	S58M40	S51E50X1GB	S41E50
► Design												
Touch control	•	•										
Piezo control with ClearText display			•									
Stainless steel buttons on steel control panel				•	•	•	•	•		•		
Stainless steel buttons on metallic finish top edge									•			
Black buttons on black control panel											•	
Control knob with integrated start button												•
VarioFlex® Plus with VarioDrawer	•	•	•					•				
VarioFlex® baskets				•	•	•	•	•	•		•	•
Vario baskets										•	•	•
Silver baskets plus pullout handle with stainless steel inlay	•	•	•					•		•		
Silver baskets plus pullout handle				•	•	•	•				•	•
Silver baskets											•	•
3 Level RackMatic system	•	•	•	•	•	•	•	•	•			
2 Level RackMatic system										•		
Foldable plate rack top/lower basket	6/6	6/6	6/6	4/4	4/4	4/4	2/2	3/2	2/2	0/2	-/2	-/2
Foldable cup shelves in top/lower basket	2/2	2/2	2/2	2/2	2/2	2/2						
Glass rack in bottom basket	•	•	•									
Large item spray facility	•	•	•	•	•	•	•	•	•	•	•	•
DuoPower double spray arm								•		•		
Tamperproof controls							•					
Child safety lock	•	•	•	•	•	•	•	•	•	•	•	•
► Technical information												
International place settings	14	14	14	13	13	13	13	10	12	9	12	12
Energy performance	A++	A++	A++	A++	A++	A++	A++	A+	A+	A+	A+	A+
Wash performance	A	A	A	A	A	A	A	A	A	A	A	A
Drying performance	A	A	A	A	A	A	A	A	A	A	A	A
Water (litres)	10	10	10	10	10	10	10	9	12	9	12	12
Annual energy consumption based on 280 cycles (kWh)	266	266	266	262	262	262	262	290	290	220	290	290
Annual water consumption based on 280 cycles (litres)	2800	2800	2800	2800	2800	2800	2800	2520	3360	2520	3360	3360
Noise level dB re 1pw	41	41	41	42	42	42	42	48	46	48	50	48
Total connected load (W)	2000-2400	2000-2400	2000-2400	2000-2400	2000-2400	2000-2400	2000-2400	2000-2400	2000-2400	2000-2400	2000-2400	2000-2400
Voltage (V)	220-240	220-240	220-240	220-240	220-240	220-240	220-240	220-240	220-240	220-240	220-240	220-240
Fuse protection (Amps)	13	13	13	13	13	13	13	13	13	13	13	13
Interior	Steel	Steel	Steel	Steel	Steel	Steel	Steel	Stainless Steel	Polinox-Steel	Stainless Steel	Polinox-Steel	Polinox-Steel
Test programme	Eco 50°C	Eco 50°C	Eco 50°C	Eco 50°C	Eco 50°C	Eco 50°C	Eco 50°C	Eco 50°C	Eco 50°C	Eco 50°C	Eco 50°C	Eco 50°C
Time (min)	175	175	175	175	175	175	175	170	175	170	195	175
Energy (kWh)	0.93	0.93	0.93	0.92	0.92	0.92	0.92	0.84	1.02	0.78	1.02	1.02
Weight unpacked (kg)	42.9	45.2	44.5	42.4	42.4	42.4	43	37.85	44	37.85	44	40
Weight packed (kg)	45	47.5	46.6	44.5	44.5	44.5	45.5	39.5	46	39.5	46	42
► EAN Code 4242004												
Black	147862	147886		147732	147893	153207		152064	146322	152057	146339	146353
Brown												146360
White												146384
Stainless steel			147725				147718					146377

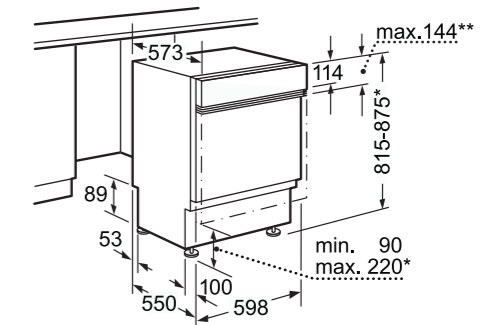
Dishwasher dimensions

S51T69X2GB S51M63X1GB S51M53X1GB
S51E50X1GB S71M63X1GB



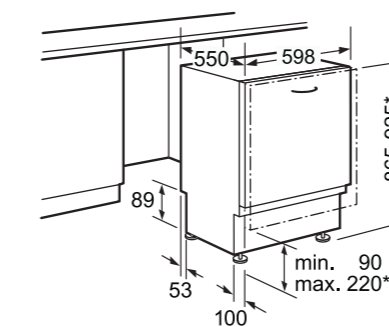
* Because of height-adjustable screw feet:
when appliance height is 815, base height is 90-160mm
when appliance height is 875, base height is 150-220mm

S41T69N1GB S41M63N0GB S41E50



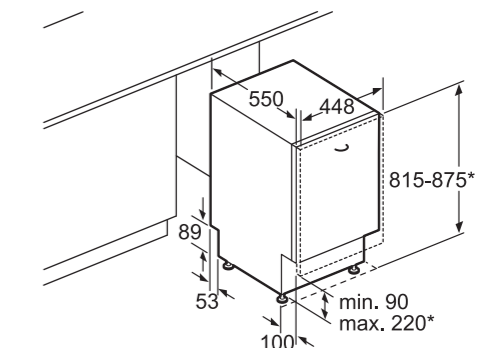
** Stainless steel fascia up to max. 143mm
* Because of height-adjustable screw feet:
when appliance height is 815, base height is 90-160mm
when appliance height is 875, base height is 150-220mm

S72T69X2GB S72M63X1GB



** Stainless steel fascia up to max. 143mm
* Because of height-adjustable screw feet:
when appliance height is 865, base height is 90-160mm
when appliance height is 925, base height is 150-220mm

S58M69 S58M40



* Because of height-adjustable screw feet:
when appliance height is 815, base height is 90-160mm
when appliance height is 875, base height is 150-220mm