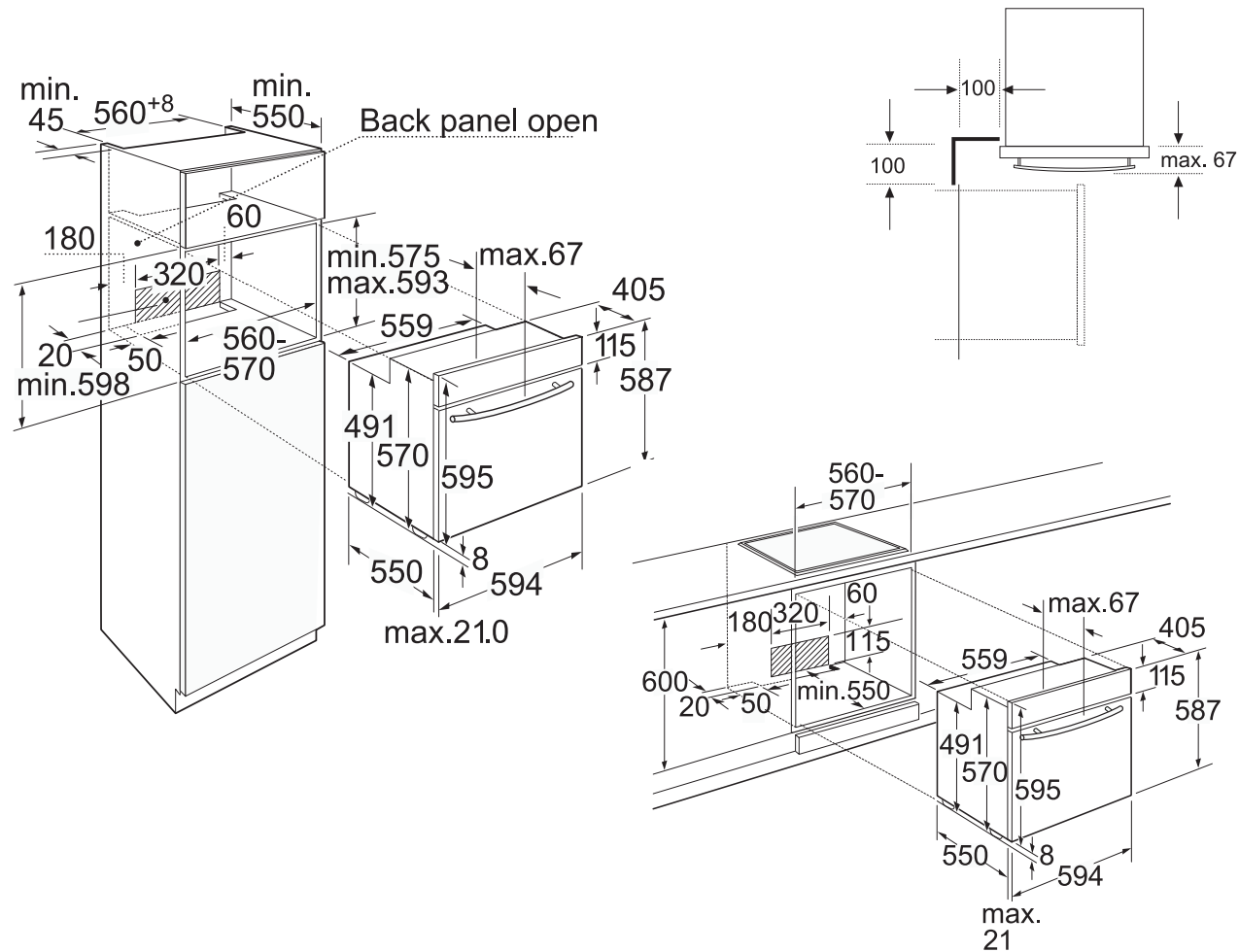


# Series 2 Single oven

BI5M62

www.neff.co.uk



The line drawings are provided as a guide to general dimensions only and are subject to amendment without prior notice. For full dimensional and installation details please refer to the documentation supplied with the appliance.

