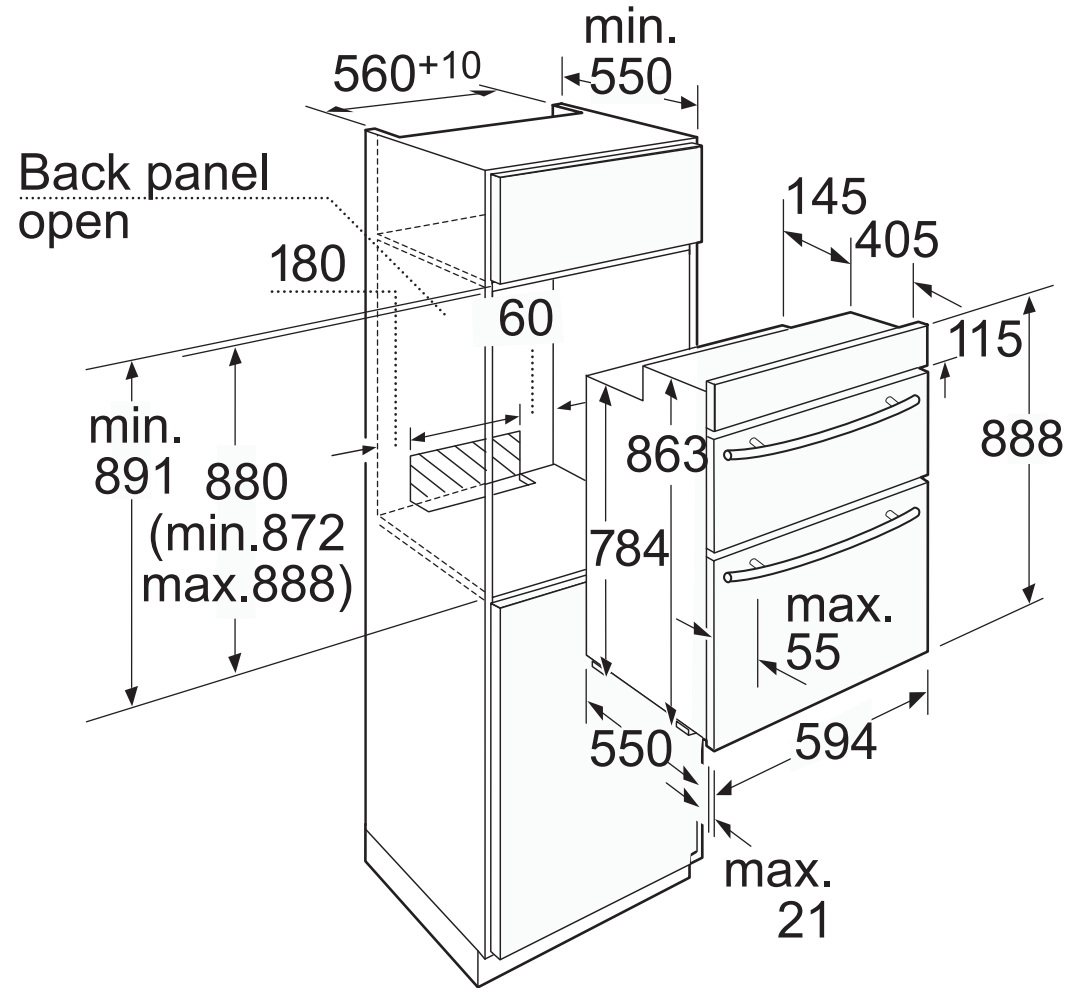


# Series 3 Double oven

UI5E42

[www.neff.co.uk](http://www.neff.co.uk)



The line drawings are provided as a guide to general dimensions only and are subject to amendment without prior notice. For full dimensional and installation details please refer to the documentation supplied with the appliance.