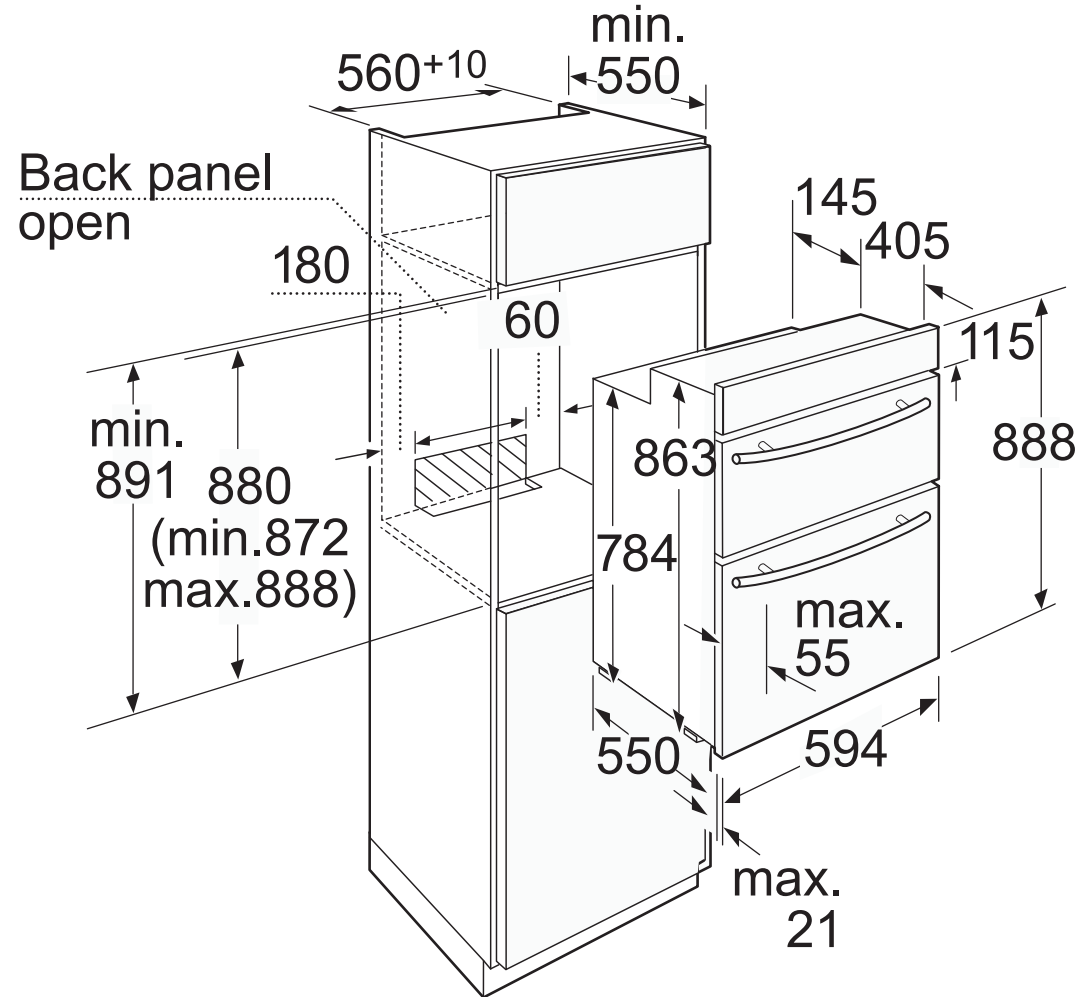


Series 5 Double oven

UI6E74

www.neff.co.uk



The line drawings are provided as a guide to general dimensions only and are subject to amendment without prior notice. For full dimensional and installation details please refer to the documentation supplied with the appliance.