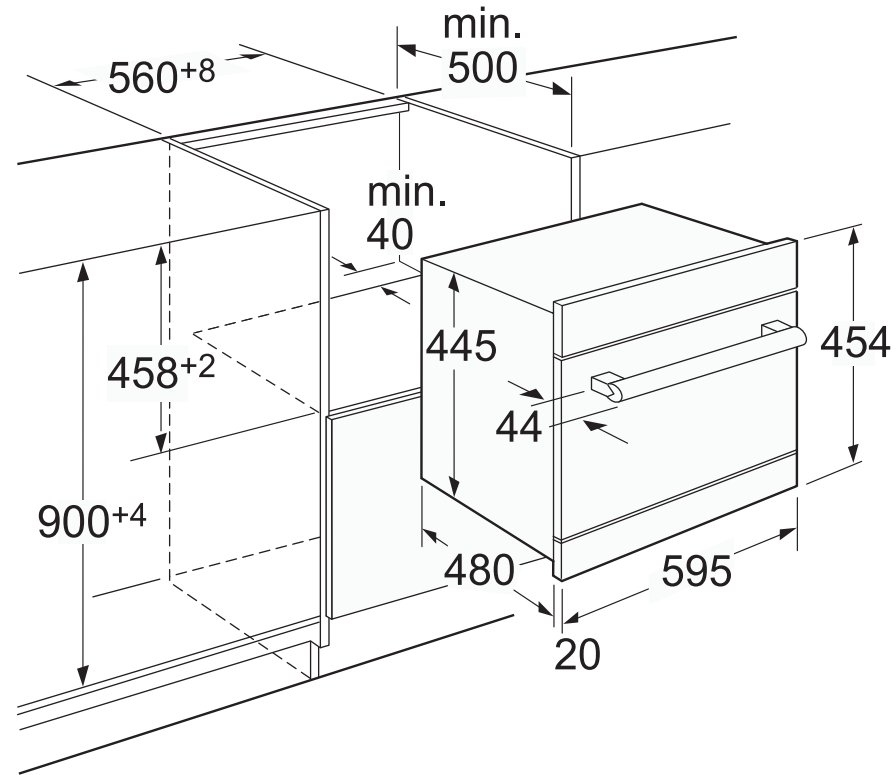


Series 4 Dishwasher

S65M63

www.neff.co.uk



Measurements in mm

The line drawings are provided as a guide to general dimensions only and are subject to amendment without prior notice. For full dimensional and installation details please refer to the documentation supplied with the appliance.