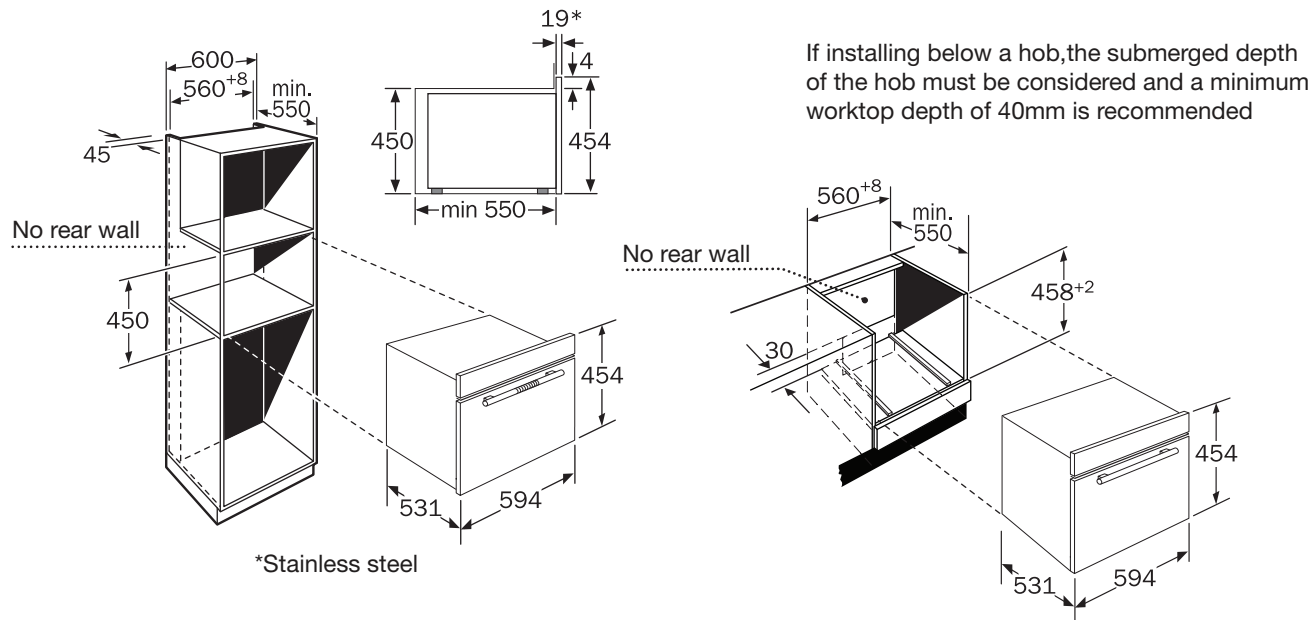
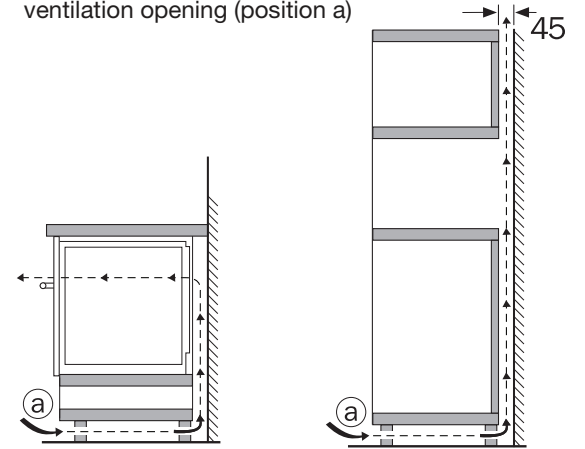


Series 5. Multifunction oven with microwave C67M70



The housing must have a 50cm² ventilation opening (position a)



The line drawings are provided as a guide to general dimensions only and are subject to amendment without prior notice. For full dimensional and installation details please refer to the documentation supplied with the appliance.