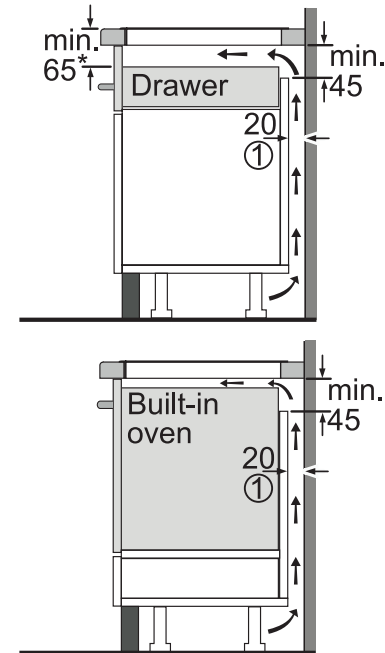
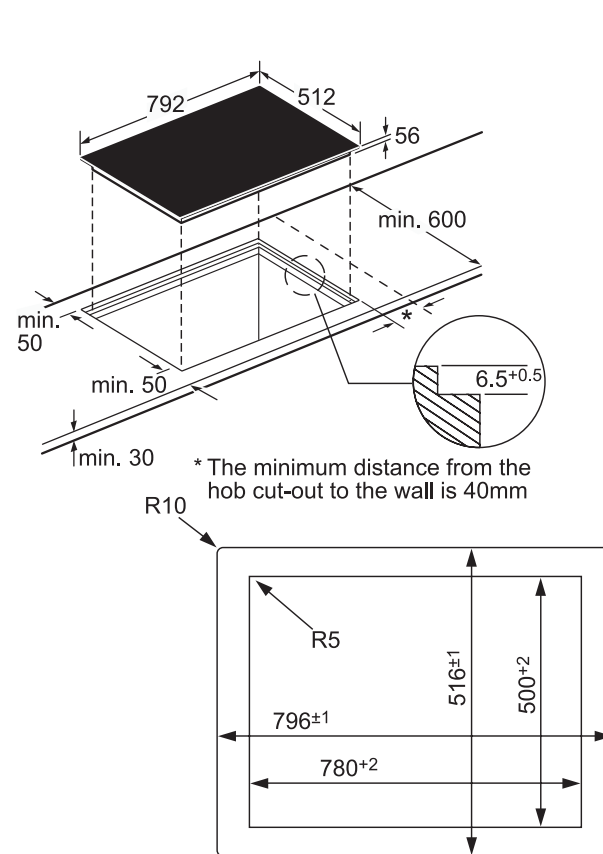


Series 3 Flushline extra wide induction hob

T45D80

www.neff.co.uk



- ① Ventilation gap must be present
* Min. 70 for all induction hobs integrated flush with surrounding surfaces

The line drawings are provided as a guide to general dimensions only and are subject to amendment without prior notice. For full dimensional and installation details please refer to the documentation supplied with the appliance.