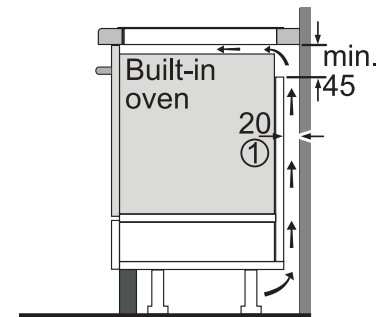
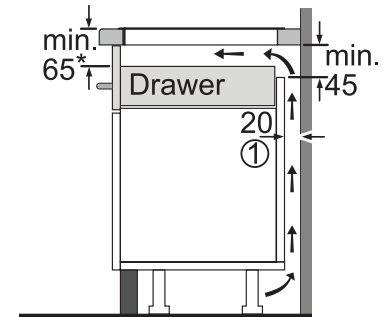
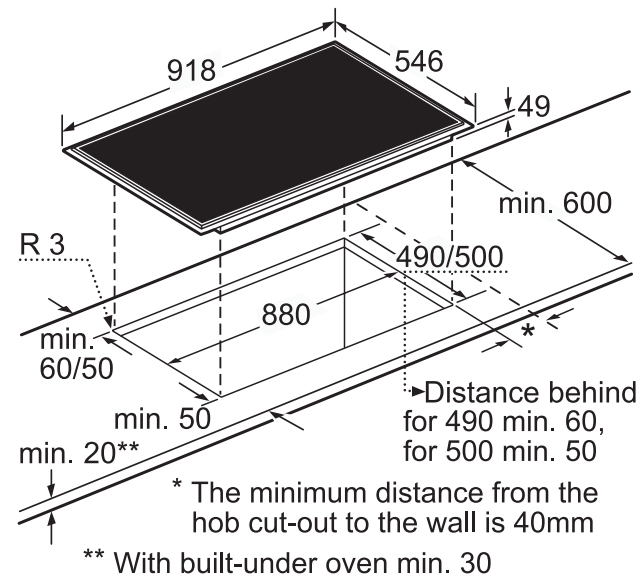


# Series 4 Extra wide induction hob

T44T90

www.neff.co.uk



① Ventilation gap must be present  
\* Min. 70 for all induction hobs integrated flush with surrounding surfaces

The line drawings are provided as a guide to general dimensions only and are subject to amendment without prior notice. For full dimensional and installation details please refer to the documentation supplied with the appliance.