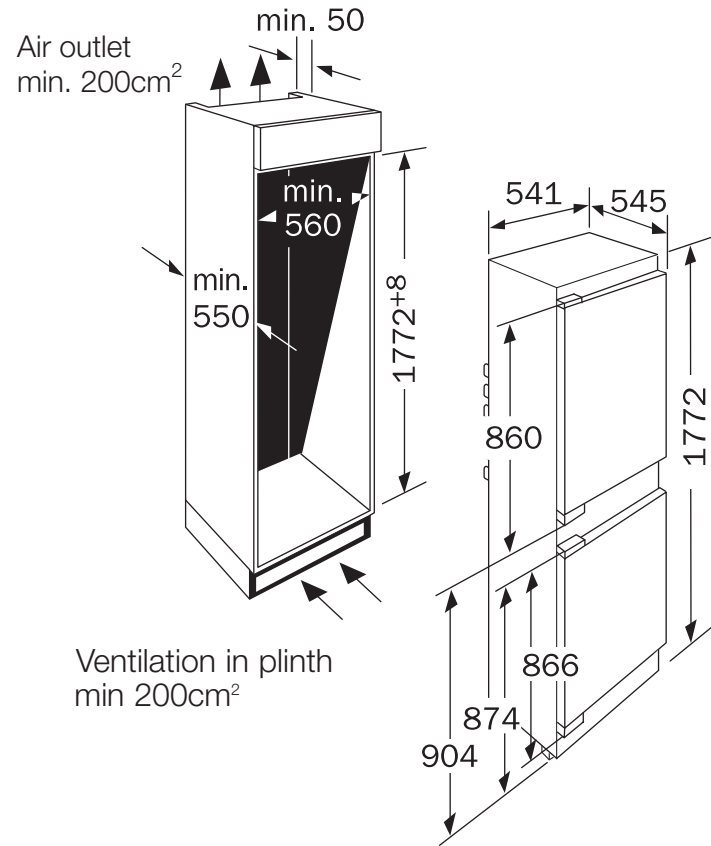
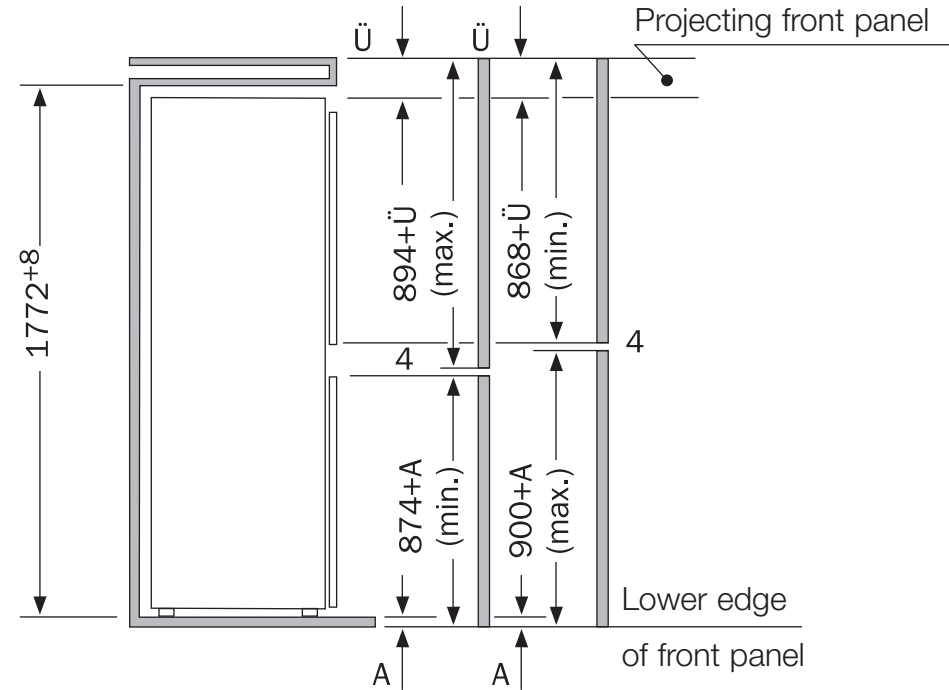


# Series 3 Fridge/freezer

K4254



Ventilation in plinth  
 $\text{min } 200\text{cm}^2$



The line drawings are provided as a guide to general dimensions only and are subject to amendment without prior notice. For full dimensional and installation details please refer to the documentation supplied with the appliance.