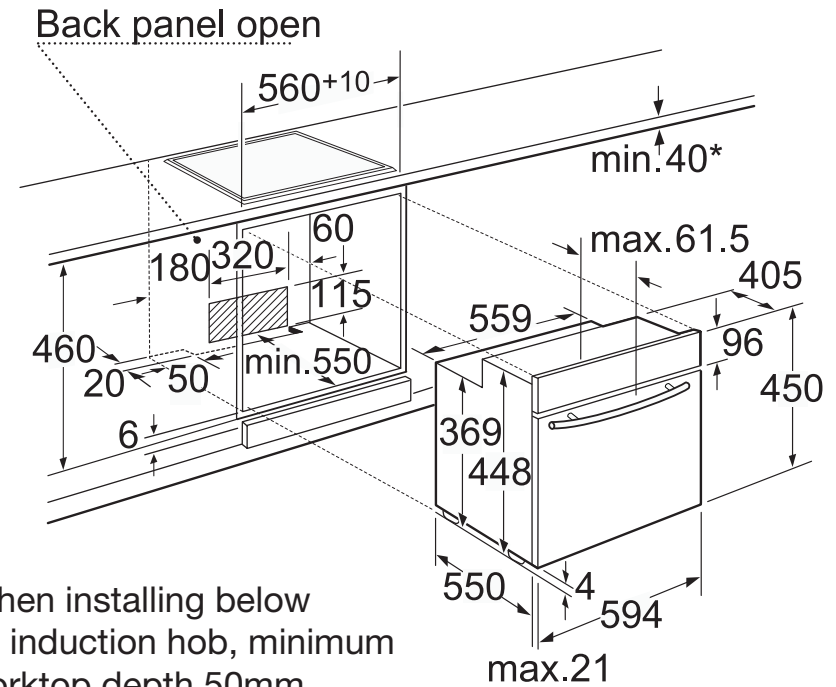
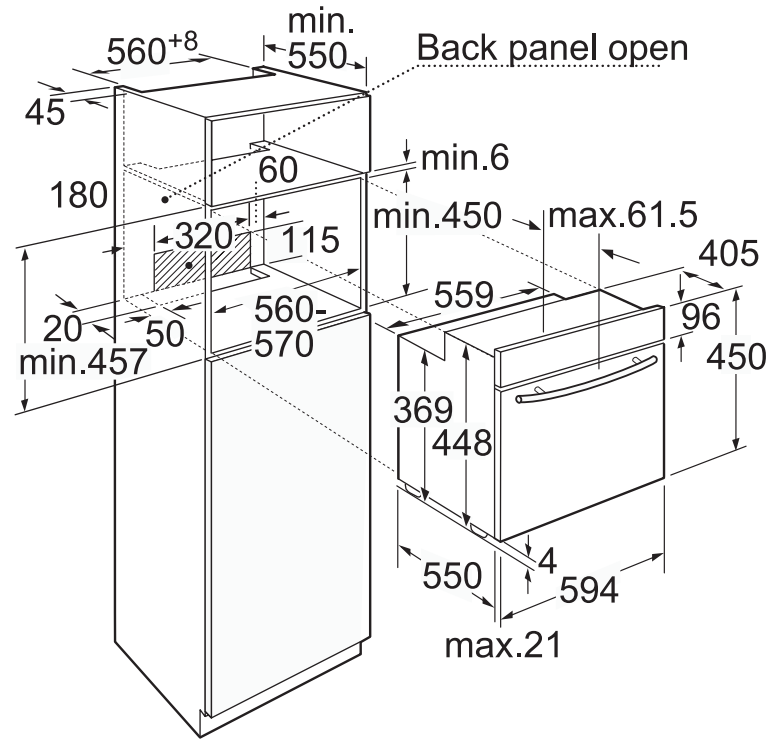


Series 5. Compact oven

C17E74



*When installing below an induction hob, minimum worktop depth 50mm

The line drawings are provided as a guide to general dimensions only and are subject to amendment without prior notice. For full dimensional and installation details please refer to the documentation supplied with the appliance.