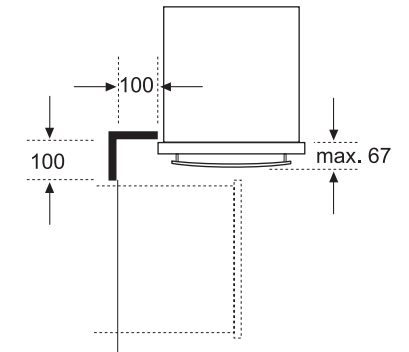
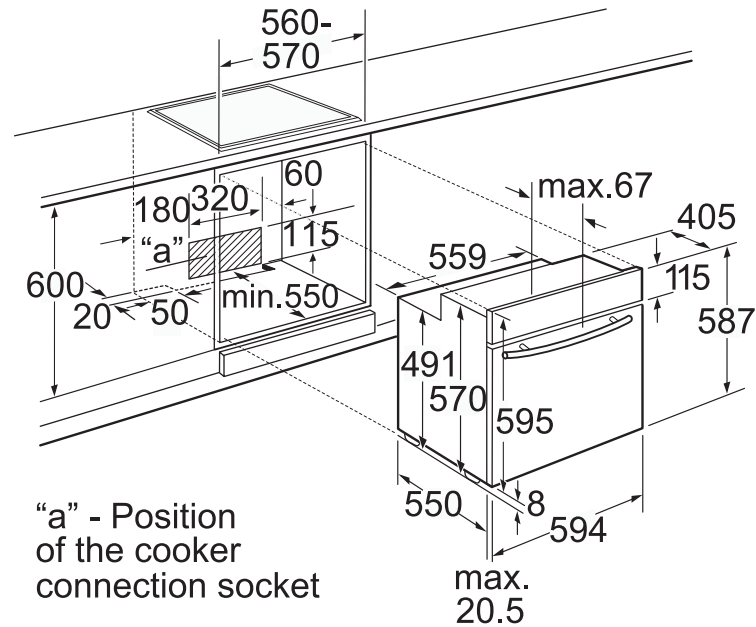
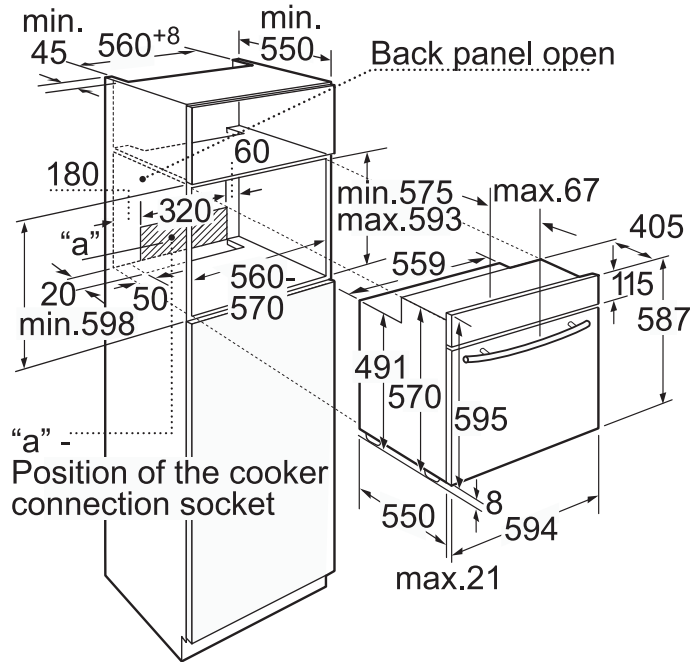


# Series 3. Single oven

B15P42



Measurements in mm

The line drawings are provided as a guide to general dimensions only and are subject to amendment without prior notice. For full dimensional and installation details please refer to the documentation supplied with the appliance.