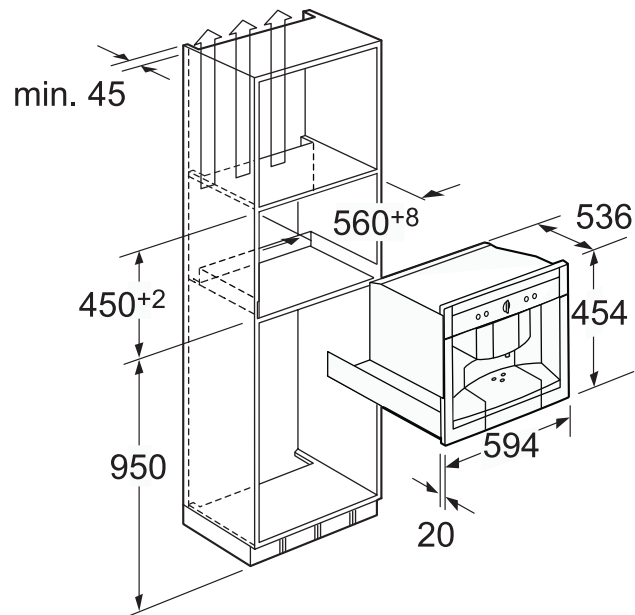
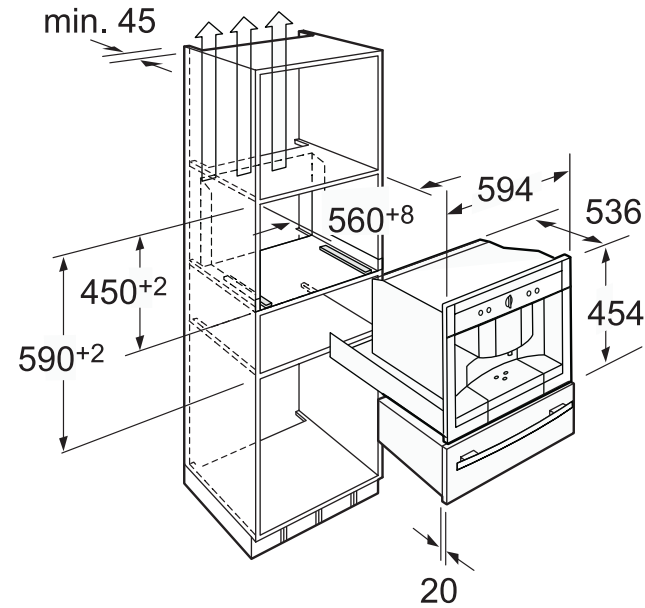


Series 5. Coffee centre

C77V60



An installation height >950 mm makes it difficult to fill the containers for beans and water which are fitted on the top.



The line drawings are provided as a guide to general dimensions only and are subject to amendment without prior notice. For full dimensional and installation details please refer to the documentation supplied with the appliance.