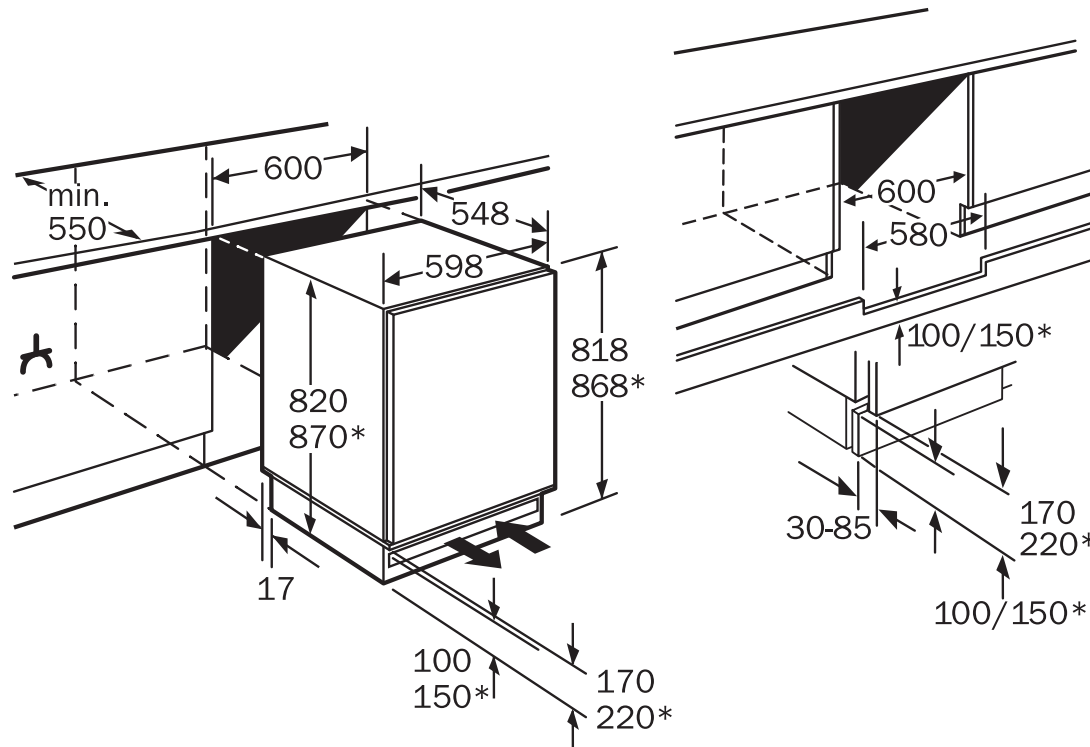


Series 1. Built-under freezer

G4344



Electrical connection is on left or right of appliance. Ventilation in plinth

The line drawings are provided as a guide to general dimensions only and are subject to amendment without prior notice. For full dimensional and installation details please refer to the documentation supplied with the appliance.