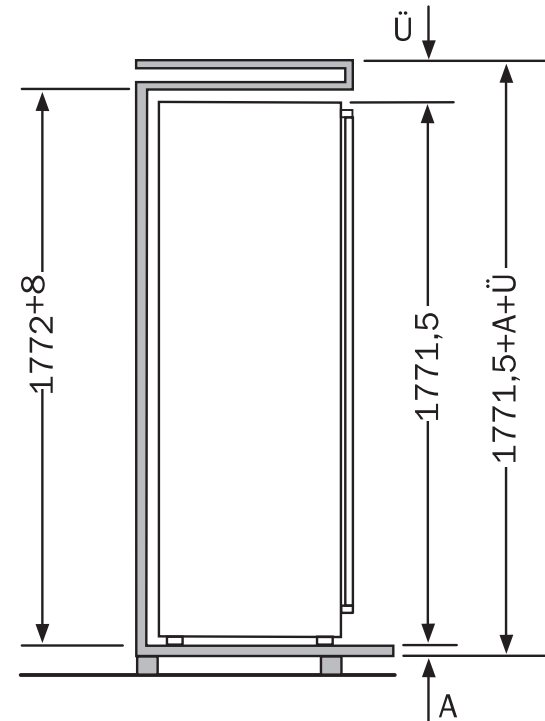
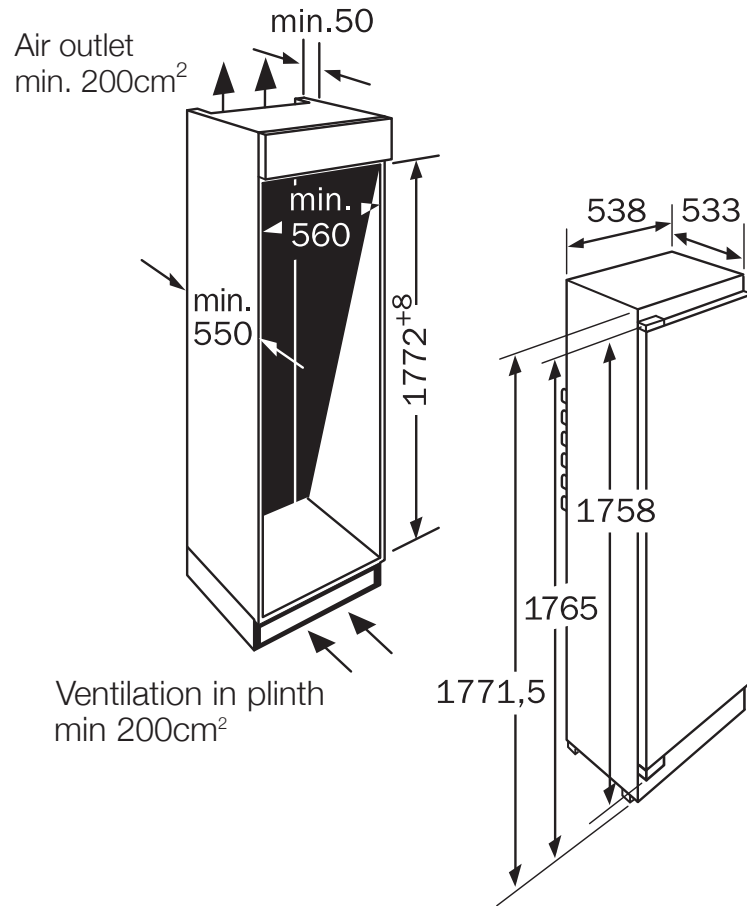


Series 4. Extra large larder fridge

K4624



With larger niche masses (1780-1790) a spacer strip must be used at the niche cover

The line drawings are provided as a guide to general dimensions only and are subject to amendment without prior notice. For full dimensional and installation details please refer to the documentation supplied with the appliance.