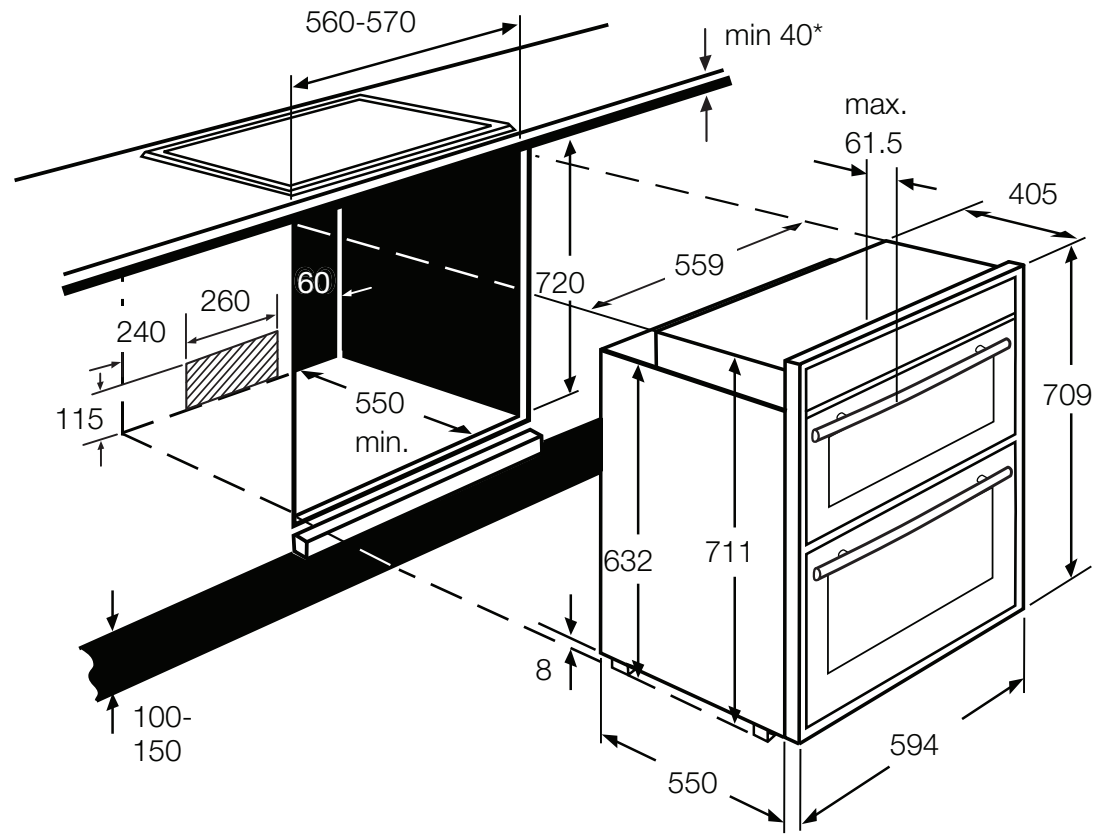


Series 4. Oven

U1744



When installing below an induction hob, minimum worktop depth 50mm

max 20.5

The line drawings are provided as a guide to general dimensions only and are subject to amendment without prior notice. For full dimensional and installation details please refer to the documentation supplied with the appliance.