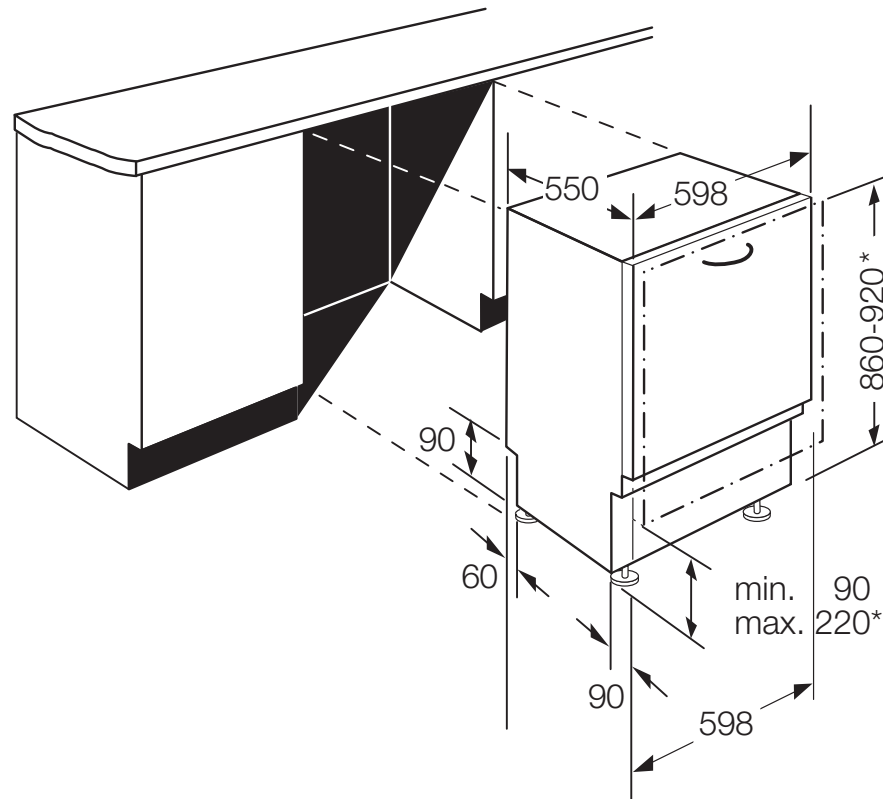


# Fully integrated S5555



\* Adjustable screw feet  
Base measurements 90-160mm for appliance height 860mm  
Base measurements 150-220mm for appliance height 920mm

The line drawings are provided as a guide to general dimensions only and are subject to amendment without prior notice. For full dimensional and installation details please refer to the documentation supplied with the appliance.