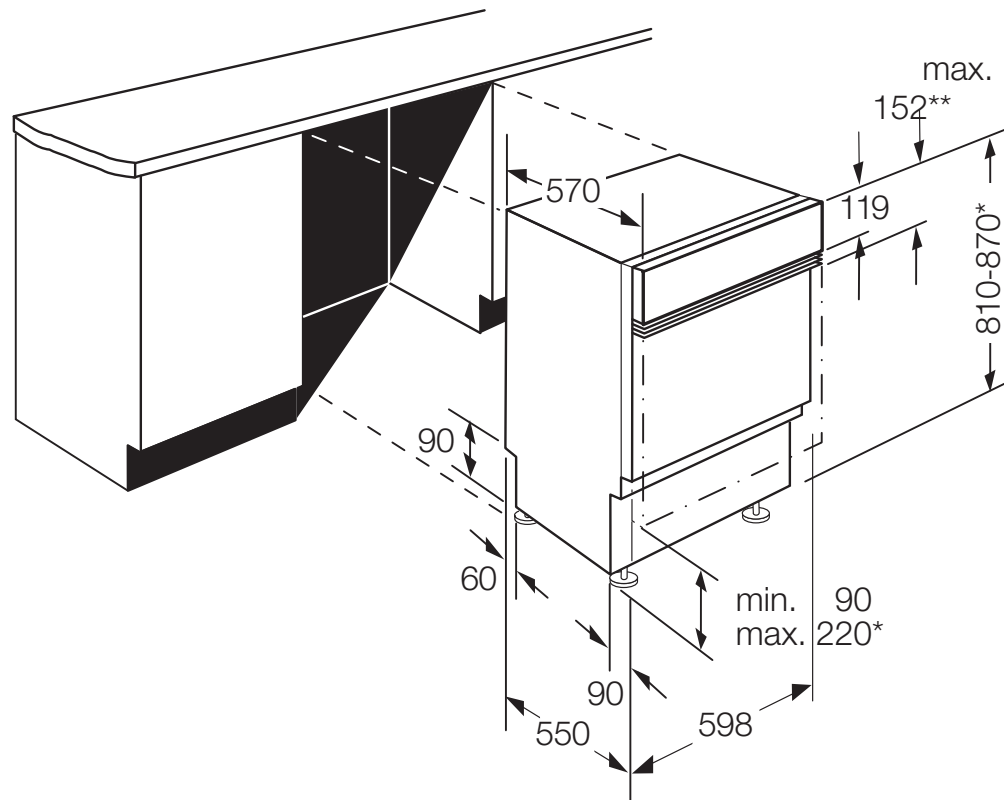


Semi integrated S44T09



* Adjustable screw feet
Base measurements 90-160mm for appliance height 810mm
Base measurements 150-220mm for appliance height 870mm

The line drawings are provided as a guide to general dimensions only and are subject to amendment without prior notice. For full dimensional and installation details please refer to the documentation supplied with the appliance.