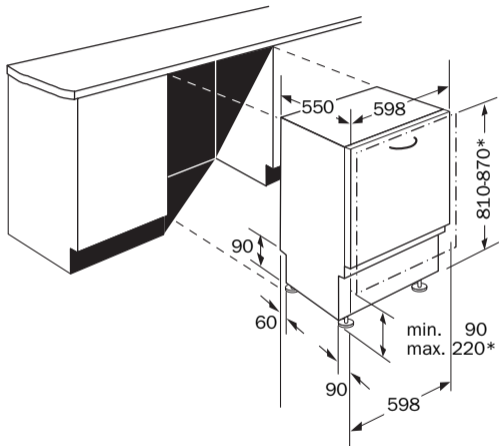


S54T09/S54T59/S5453



* Adjustable screw feet

Base measurements 90-160mm for appliance height 810mm

Base measurements 150-220mm for appliance height 870mm